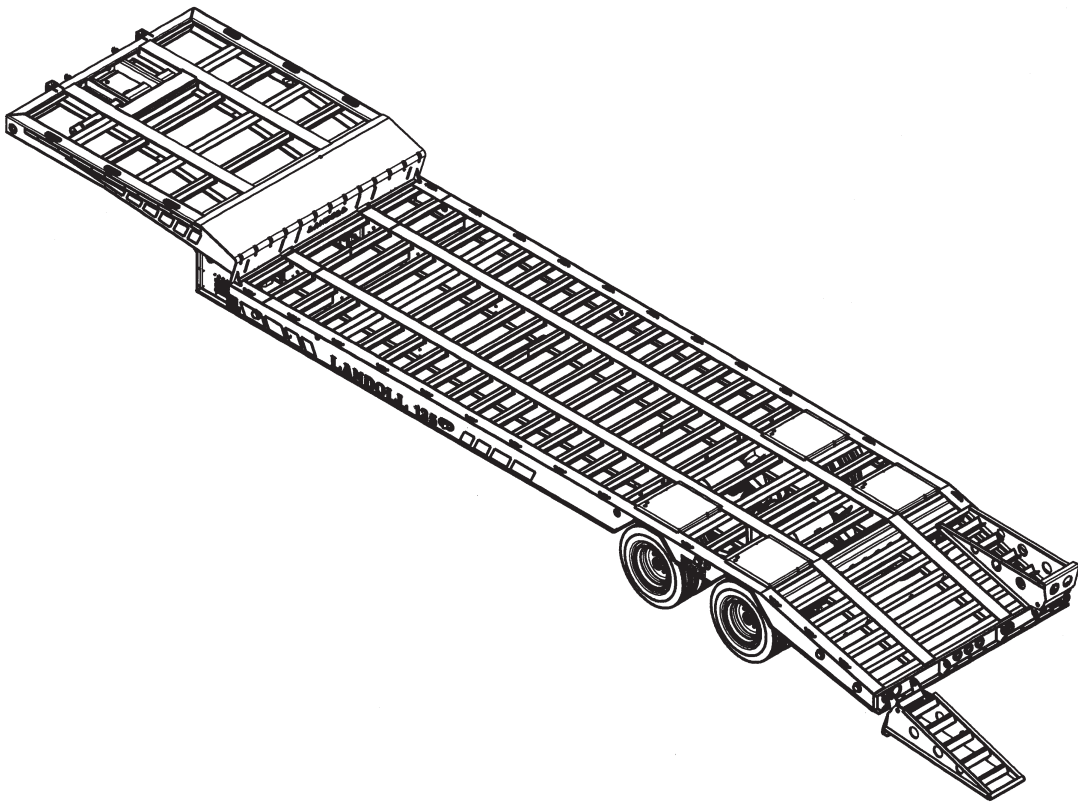




**MODEL 135/150 SERIES
FIXED GOOSENECK BEAVERTAIL SEMITRAILER
PARTS MANUAL**



**1900 NORTH STREET
MARYSVILLE, KANSAS 66508
(785) 562-5381**

ILLUSTRATED PARTS LIST

1

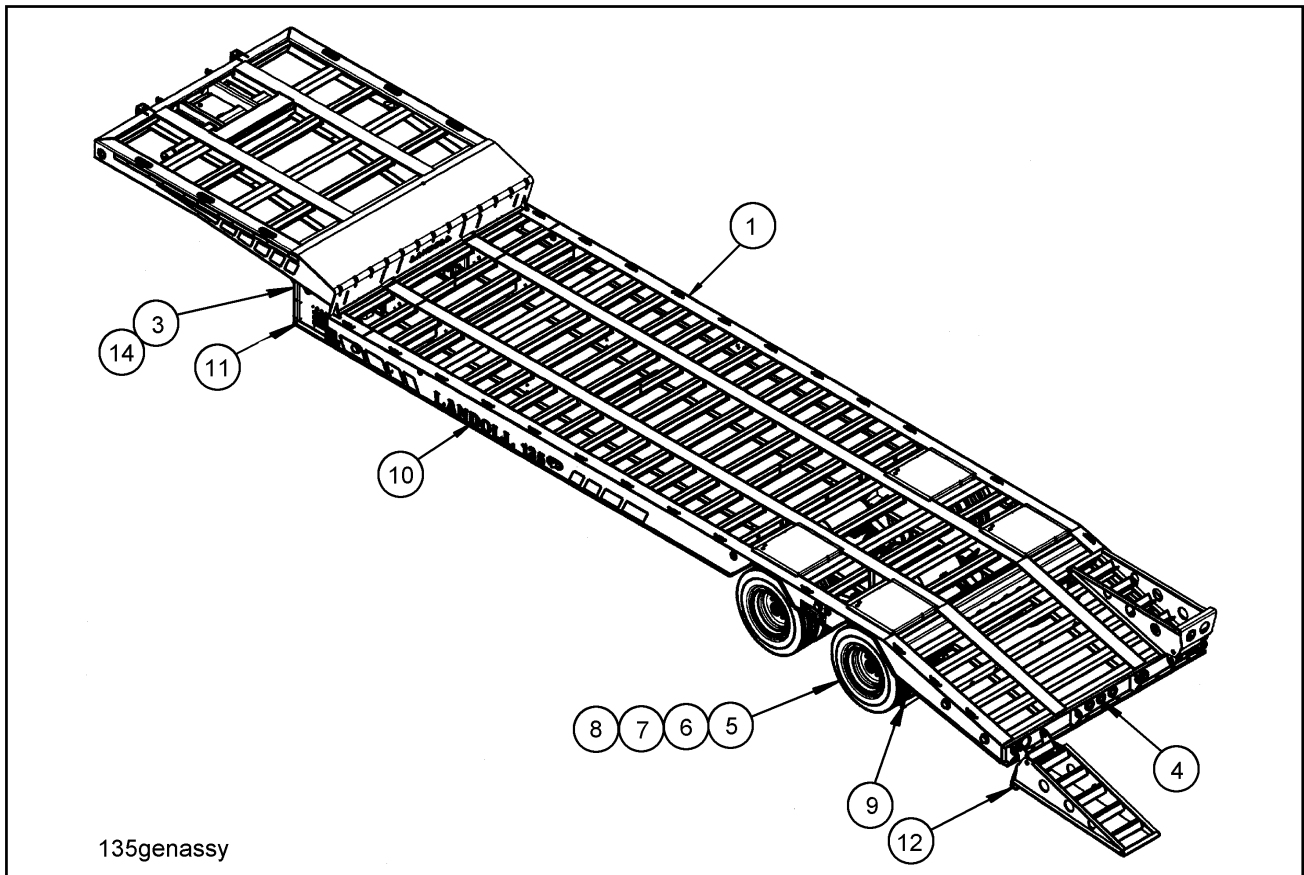
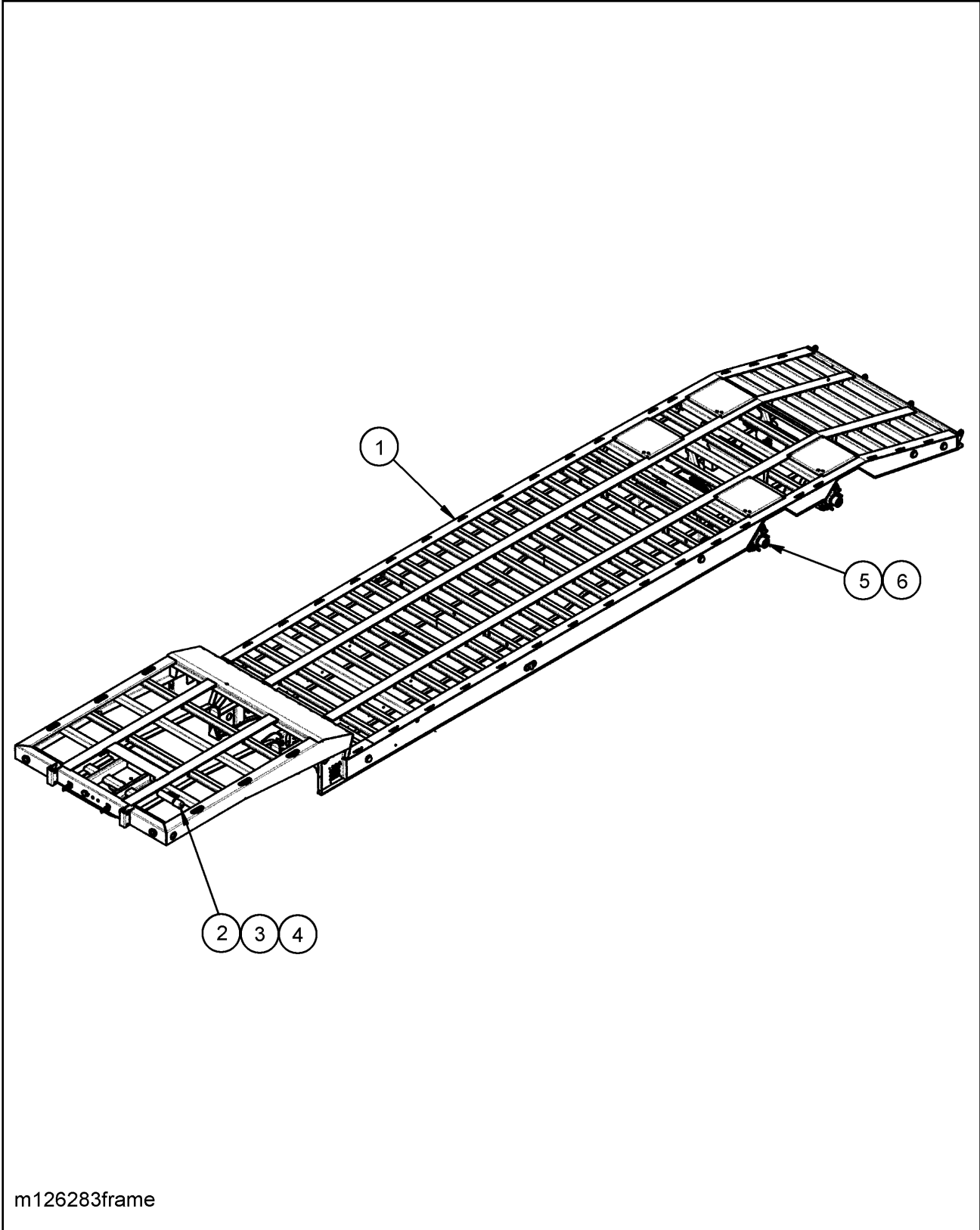


Figure 1-1 General Assembly

GENERAL ASSEMBLY

| ITEM | PART/PAGE NO. | DESCRIPTION | QTY. |
|------|-------------------------|--|------|
| 1 | 1-2 - 1-3 | FRAME ASSEMBLIES | |
| 2 | 1-4 - 1-5 | BULKHEAD ASSEMBLY (OPTION) (NOT SHOWN) | |
| 3 | 1-6 - 1-13 | HYDRAULIC SYSTEM ASSEMBLIES (OPTION) | |
| 4 | 1-14 - 1-15 | ELECTRICAL SYSTEM | |
| 5 | 1-16 - 1-19;1-22 - 1-25 | SUSPENSION, SPRING AND AIR RIDE | |
| 6 | 1-20 - 1-21 | AXLE AND BRAKE | |
| 7 | 1-26 - 1-33 | AIR BRAKE SYSTEM | |
| 8 | 1-34 - 1-35 | HUB AND DRUM | |
| 9 | 1-36 | MUD FLAP ASSEMBLY | |
| 10 | 1-37 - 1-39 | DECAL INSTALLATION | |
| 11 | 1-40 - 1-43 | LANDING GEAR | |
| 12 | 1-44 - 1-45 | RAMP ASSEMBLIES | |
| 13 | 1-46 - 1-47 | TOOLBOX ASSEMBLY (NOT SHOWN) | |
| 14 | 1-48 - 1-67 | MISCELLANEOUS OPTIONS | |

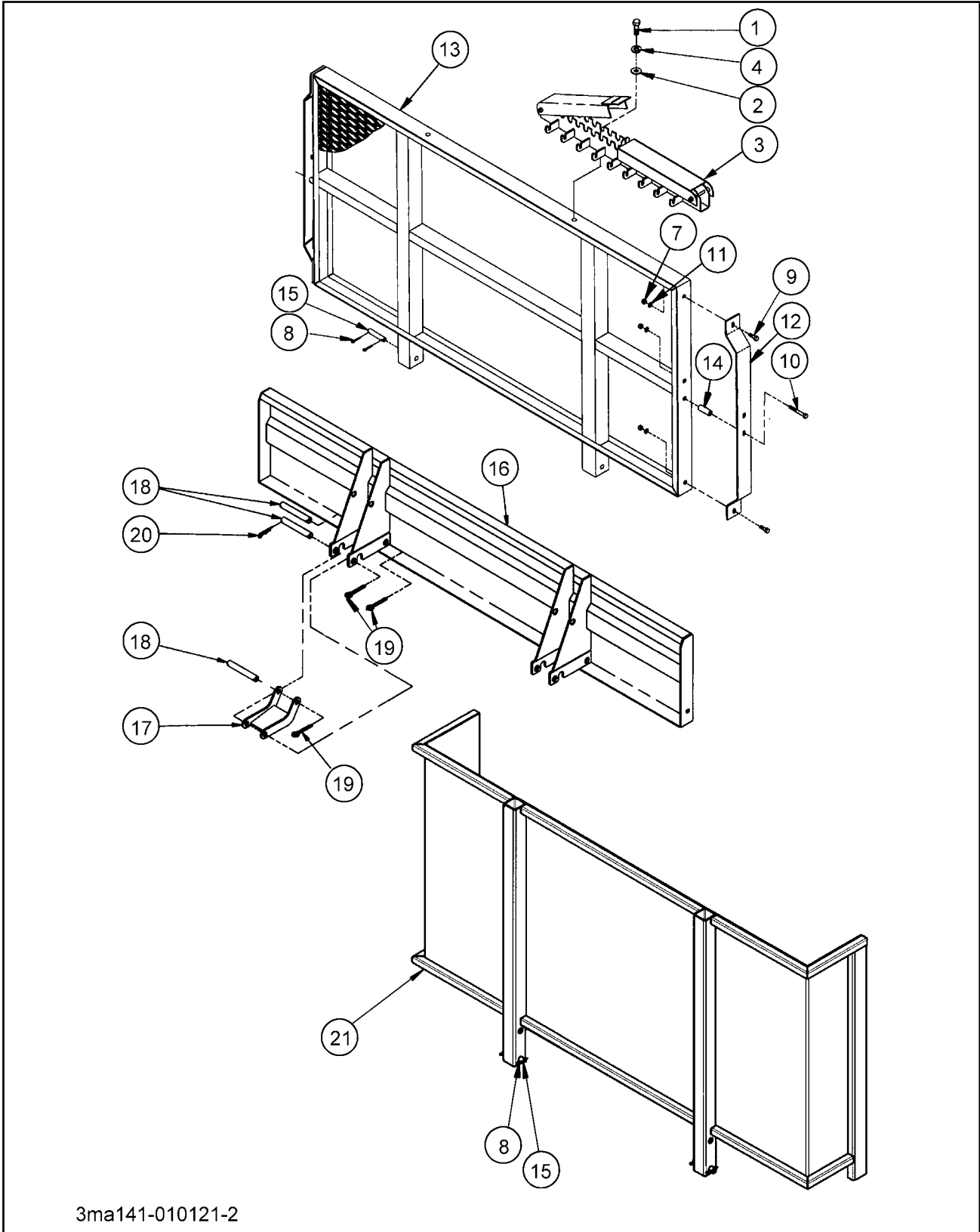


m126283frame

Figure 1-2 Frame Assembly

FRAME ASSEMBLY

| ITEM | PART NO. | DESCRIPTION | QTY. |
|------|--------------|---|------|
| | --- | FRAME ASSEMBLY | |
| 1 | --- | FRAME WELDMENT | 1 |
| 2 | 1-116-010019 | BOX, MANUAL STORAGE | 1 |
| 3 | F-359-___ | MANUAL, MODEL 135/150 SERIES OPERATOR'S | 1 |
| 4 | 105-0093 | HOSE CLAMP 4-1/2 | 1 |
| 5 | 115761 | SUSPENSION ASSEMBLY, SPRING 102 FRONT | |
| | 115762 | SUSPENSION ASSEMBLY, SPRING 102 REAR (135-35, 135-40, 135-43, 135-45, 135-48 SPRING RIDE) (SEE PAGE 1-17) | |
| | 117649 | SUSPENSION ASSEMBLY SPRING 150 FRT | |
| | 117650 | SUSPENSION ASSEMBLY SPRING 150 CTR/REAR (150-45 & 150-48 SPRING RIDE) (SEE PAGE 1-17) | |
| | 115747 | AXLE WELDMENT 2512 SPRING 77 (135-40 AIR RIDE) (INCL P/N'S 102361 & 115704) (SEE PAGES 1-20 AND 1-23) | |
| | 122351 | AXLE WELDMENT RLU-228 D2512 SPG77 (135-45 & 135-48 AIR RIDE) (INCL P/N'S 122345 & 115704) (SEE PAGES 1-20 AND 1-25) | |
| 6 | 102363 | SUSPENSION, ADJ. RLU-228-3.5 (135-40 AIR RIDE) | |
| | 102361 | SUSPENSION, BEAM. RLU-228 (135-40 AIR RIDE) (SEE PAGE 1-23) | |
| | 122346 | SUSP, FASTENER RLU-228-6.3 (135-45 & 135-48 AIR RIDE) | |
| | 122345 | SUSPENSION, BEAM RLU-228-6.3 (135-45 & 135-48 AIR RIDE) (SEE PAGE 1-25) | |



3ma141-010121-2

Figure 1-3 Bulkhead Assembly (Option)

BULKHEAD ASSEMBLY (OPTION)

| ITEM | PART NO. | DESCRIPTION | QTY. |
|------|-----------------|--|------|
| | B7-141-003 | BULKHEAD CHAIN RACK INST. (INCL ITEMS 1-4) | |
| | 3-141-010121-2 | BULKHEAD INST. 48 X 96 (INCL ITEMS 5-15) | |
| | 3-141-010121-3 | BULKHEAD INST. 16 X 102 (INCL ITEMS 5-15) | |
| | 3-141-010123-4 | BULKHEAD INSTALLATION 2 POSITION (ITEMS 16-21) | |
| | 125254 | BULKHEAD ASSEMBLY 48 X 102 (INCL. ITEMS 8, 15, 21) | |
| 1 | 1-654-010051-06 | SCREW, HEX HEAD CAP 3/8-16 X 1-1/4 GR5 | 2 |
| 2 | 1-861-010032-11 | WASHER, FLAT 3/8 | 2 |
| 3 | 3-141-010008 | CHAIN HANGER AND LOCK CHANNEL | 1 |
| 4 | 1-861-010034-11 | WASHER, SPLIT LOCK 3/8 | 2 |
| 5 | 3-573-010378012 | DECAL, 2X12 REFLEXITE WHITE (NOT SHOWN) | 2 |
| 7 | 1-512-010005-09 | NUT, HEX LOCK 1/2-13 GRB | 6 |
| 8 | 1-557-010362-63 | PIN, COTTER 1/4 X 2 | 4 |
| 9 | 1-654-010055-03 | SCREW, HEX HEAD CAP 1/2-13 X 1-1/2 GR5 | 4 |
| 10 | 1-654-010055-13 | SCREW, HEX HEAD CAP 1/2-13 X 4 GR5 | 2 |
| 11 | 1-861-010032-15 | WASHER, FLAT 1/2W | 6 |
| 12 | 3-054-010101 | BAR, SIDE 48" BULKHEAD 102" EXT | 2 |
| 13 | 3-141-010155 | BULKHEAD WLDMT 48 X 96 | 1 |
| | 3-141-010152 | BULKHEAD WLDMT 16 X 102 (NOT SHOWN) | 1 |
| 14 | 3-711-010025 | SPACER, 48" BULKHEAD 1" DIA | 2 |
| 15 | 6-557-010163 | PIN, HITCH LEVELING LINK | 2 |
| 16 | 3-141-010147 | BULKHEAD WELDMENT 16/24 X 102 | 1 |
| 17 | 3-755-010080 | SUPPORT WELDMENT BULKHEAD | 2 |
| 18 | 3-557-010380 | SUPPORT PIN | 6 |
| 19 | 1-557-010362-63 | COTTER PIN 1/4X2 | 10 |
| 20 | 1-557-010014 | HAIRPIN | 2 |
| 21 | 125255 | BULKHEAD WELDMENT 48 X 102 | 1 |

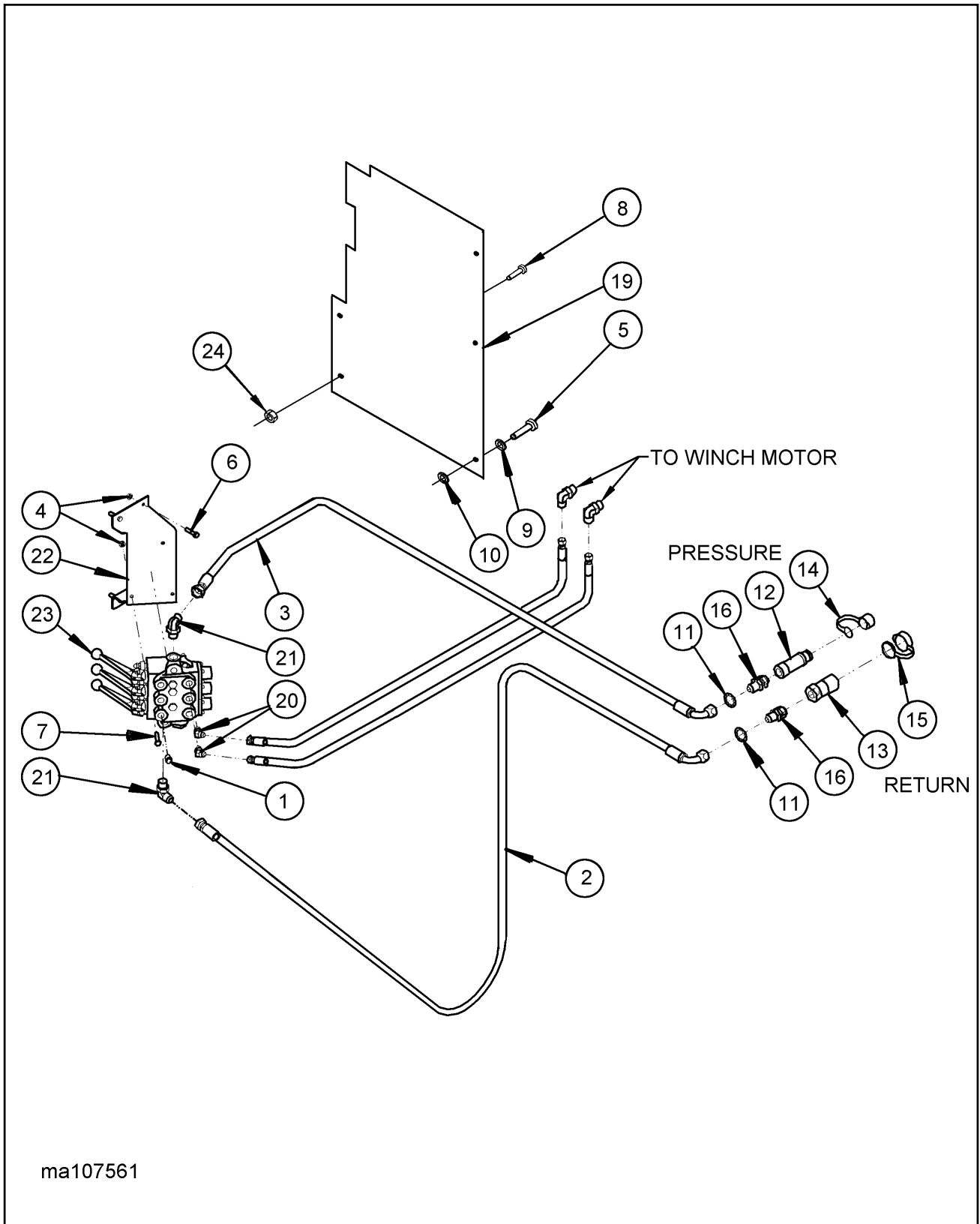


Figure 1-4 Hydraulic System Installation (Option)

HYDRAULIC CONTROL INSTALLATION (OPTION)

| ITEM | PART NO. | DESCRIPTION | QTY. |
|------|-----------------|---|------|
| | 122286 | HYDRAULIC CONTROL INSTALLATION | |
| 1 | 1-007-010025 | PLUG, 3/4-16 | 4 |
| 2 | 1-397-010305156 | HOSE ASSEMBLY 3/4 X 156 | 1 |
| 3 | 1-397-010305164 | HOSE ASSEMBLY 3/4 X 164 | 1 |
| 4 | 1-510-010001 | NUT, FLANGE LOCK 3/8-16 | 7 |
| 5 | 1-654-010051-06 | SCREW, HEX HEAD CAP 3/8-16 X 1-1/4 GR5 | 3 |
| 6 | 1-654-010051-07 | SCREW, HEX HEAD CAP 3/8-16 X 1-1/2 GR5 | 4 |
| 7 | 1-654-010051-09 | SCREW, HEX HEAD CAP 3/8-16 X 2 GR5 | 3 |
| 8 | 1-654-010158-1 | SCREW, RD HEAD SQ NECK 1/4-20 X 3/4 | 2 |
| 9 | 1-861-010032-11 | WASHER, FLAT 3/8W | 3 |
| 10 | 1-861-010034-11 | WASHER, SPLIT LOCK 3/8 | 3 |
| 11 | 1-861-010059-21 | WASHER, LOCKING INTL TOOTH 1-1/8 | 2 |
| 12 | 105479 | COUPLER, FLAT FACE MALE | 1 |
| 13 | 105480 | COUPLER, FLAT FACE FEMALE | 1 |
| 14 | 105481 | COUPLER, DUST CAP MALE | 1 |
| 15 | 105482 | COUPLER, DUST CAP FEMALE | 1 |
| 16 | 105483 | ADAPTER BULKHEAD | 2 |
| 17 | 105822 | DECAL, HYD COUPLER | 1 |
| 18 | 113274 | PLACARD, CONTROL PANEL | 1 |
| 19 | 114834 | SHIELD, FLAT | 1 |
| 20 | 2061-8-8S | ADAPTER, 45 | 2 |
| 21 | 2062-12-12S | ADAPTER, 90 | 2 |
| 22 | 3-482-010563 | MOUNT WELDMENT, VALVE, HYD PNEUMATIC | 1 |
| 23 | 3-846-010159 | VALVE ASSEMBLY, 3 SPOOL MOTOR 1ST (SEE PAGE 1-11) | 1 |
| 24 | 1-512-010005-01 | NUT, HEX LOCK 1/4-20 | 2 |

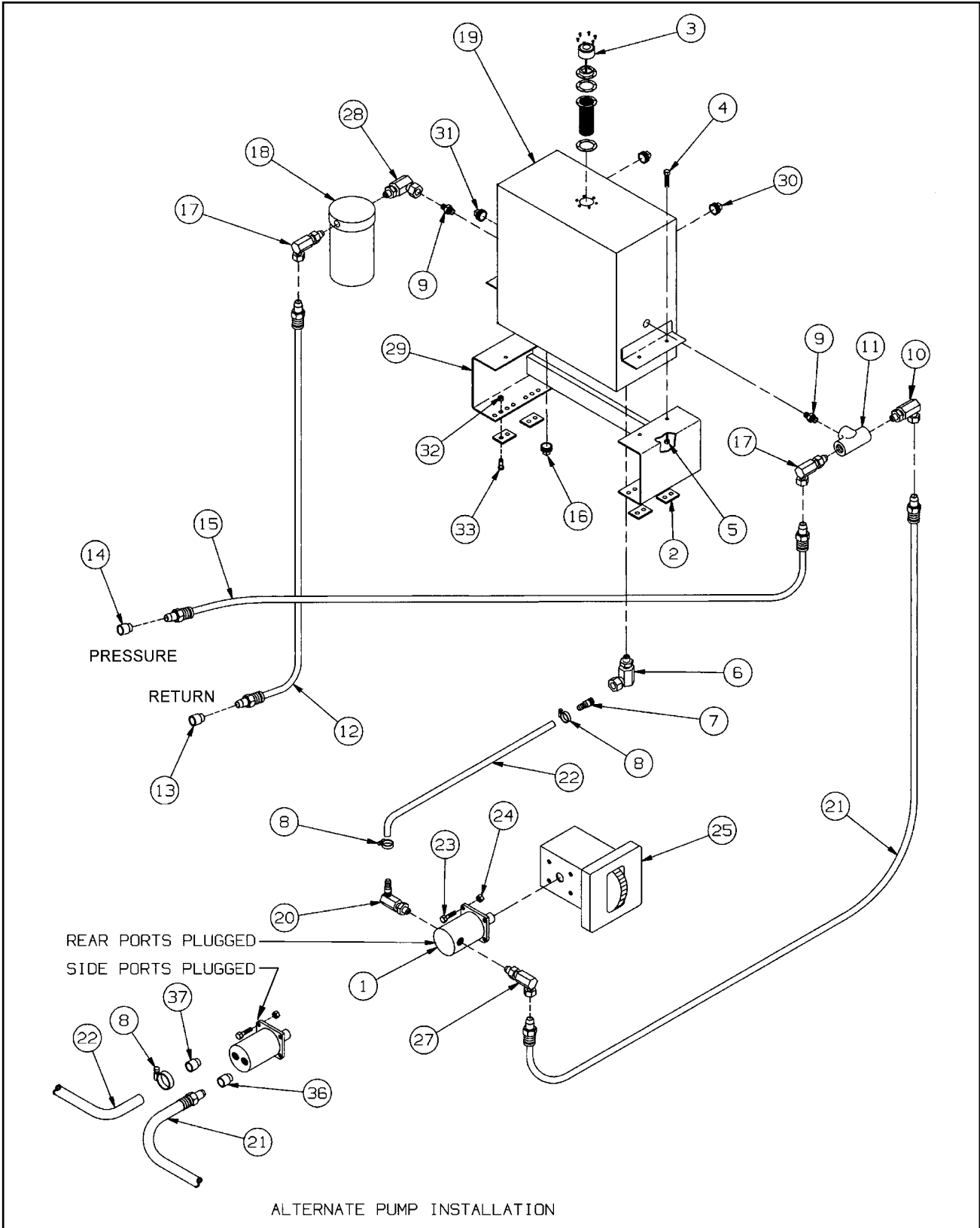


Figure 1-5 Wet Kit Assembly (Option)

WET KIT ASSEMBLY (OPTION)

| ITEM | PART NO. | DESCRIPTION | QTY. |
|------|-----------------|---------------------------------------|------|
| | 107498 | WET KIT 30 GAL | |
| | 107499 | WET KIT 30 GAL W/ PTO, NOT INSTALLED | |
| | 107500 | WET KIT 30 GAL W/O PTO, NOT INSTALLED | |
| 1 | 3-591-010001 | PUMP, HYDRAULIC GEAR (SEE PAGE 1-13) | 1 |
| 2 | 3-120-010461 | BRACKET, HYD TANK MOUNT SUPPORT | 4 |
| 3 | 3-162-010001 | FILLER, BREATHER STRAINER | 1 |
| 4 | 1-654-010051-06 | SCREW HEX HEAD CAP 3/8-16 X 1-1/4 GR5 | 4 |
| 5 | 1-512-010005-05 | NUT HEX LOCK 3/8-16 GRB | 4 |
| 6 | 1-1/4ST ELL | PIPE ELBOW, 90° | 1 |
| 7 | 3-561-010001 | HOSE, BARB | 1 |
| 8 | 6828 | CLAMP, HOSE | 2 |
| 9 | C3069X12 | NIPPLE HEX | 2 |
| 10 | 2024-12-8S | ADAPTER 90 | 1 |
| 11 | 125130 | RD12D HYD. BY-PASS SRDD | 1 |
| 12 | 106760 | HOSE ASSEMBLY, 3/4X164 | 1 |
| 13 | 105479 | COUPLER, FLAT FACE MALE | 1 |
| | 105481 | COUPLER, DUST CAP MALE | 1 |
| 14 | 105480 | COUPLER, FLAT FACE FEMALE | 1 |
| | 105482 | COUPLER, DUST CAP FEMALE | 1 |
| 15 | 106759 | HOSE ASSEMBLY, 1/2X164 | 1 |
| 16 | 1-560-010002-07 | PLUG, BLACK PIPE | 1 |
| 17 | 2024-12-12S | ADAPTER 90 | 1 |
| 18 | 1-295-010001 | FILTER, RETURN | 1 |
| | 1-295-010002 | FILTER ELEMENT | 1 |
| 19 | 3-786-010043 | TANK, HYDRAULIC | 1 |
| 20 | 1-007-010006 | ELBOW 90 | 1 |
| 21 | 1-397-010301100 | HOSE ASSEMBLY 1/2X100 | 1 |
| 22 | 3-399-010001 | HOSE SUCTION 1-1/4X4 | 8' |
| 23 | 1-654-010055-03 | SCREW HEX HEAD CAP 1/2-13X1-1/2 GR5 | 4 |
| 24 | 1-861-010034-13 | WASHER SPLIT LOCK 1/2 | 4 |
| 25 | PTO* | POWER TAKEOFF | 1 |
| 27 | 2062-16-8S | ADAPTER 90 | 1 |
| 28 | 2047-12-12S | ELBOW 90 SWIVEL | 1 |
| 29 | 3-482-010503 | TANK MOUNT | 1 |
| 30 | 1-560-010002-05 | PIPE PLUG 3/4 | 2 |
| 31 | 1-560-010002-04 | PIPE PLUG 1/2 | 1 |
| 32 | 1-512-010005-09 | NUT HEX LOCK 1/2-13 GRB | 4 |
| 33 | 1-654-010055-04 | SCREW HEX HEAD CAP 1/2-13X1-3/4 GR5 | 4 |
| 36 | 12-16 070120 | ADAPTER | 1 |
| 37 | 107513 | ADAPTER | 1 |
| 38 | 107520 | INSTALLATION DRAWING 107498 | 1 |

* IF IT BECOMES NECESSARY TO ORDER A NEW POWER TAKEOFF, HAVE READY THE TRANSMISSION MODEL NUMBER AND SERIAL NUMBER BEFORE CALLING THE PARTS DISTRIBUTION CENTER.

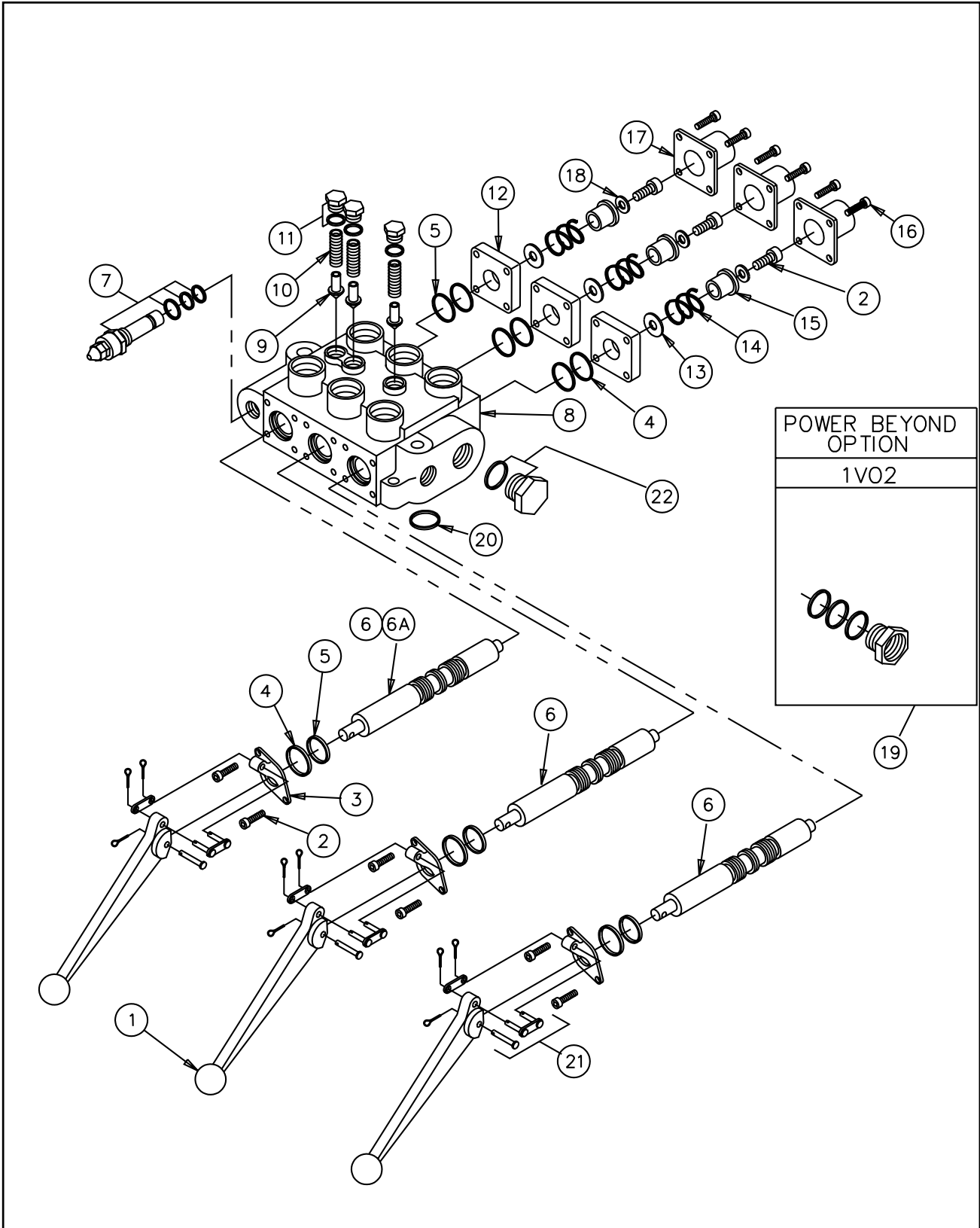


Figure 1-6 Three Spool Valve

VALVE, THREE SPOOL

| ITEM | PART NO. | DESCRIPTION | QTY. |
|------|--------------|---|------|
| | 3-846-010159 | VALVE ASSEMBLY, THREE SPOOL MOTOR 1ST | **1 |
| 1 | 1V1703 | VALVE, HANDLE | 3 |
| 2 | 2A0079-404 | CAP SCREW (TIGHTEN TO 7 - 11 FT.-LBS.) | 9 |
| 3 | 4Z4306 | BRACKET, HANDLE | 3 |
| 4 | 1A0711 | WASHER, O-RING SPOOL | 6 |
| 5 | 2A0283-7214 | SEAL, SPOOL | 6 |
| 6 | * | SPOOL, 4-WAY | **2 |
| 6A | * | MOTOR SPOOL, 4-WAY | **1 |
| 7 | 1R0017 | RELIEF ASSEMBLY (1500 - 3000 PSI)(PRESET @ 2500 PSI) | 1 |
| 8 | * | HOUSING, VALVE | 1 |
| 9 | 1V0081 | POPPET, LOAD CHECK | 3 |
| 10 | 1A0757 | SPRING, LOAD CHECK | 3 |
| 11 | 1V1725 | PLUG, LOAD CHECK | 3 |
| 12 | 1A0709 | SPACER, END | 3 |
| 13 | 1A0291 | WASHER, STOP | 3 |
| 14 | 1A0744 | SPRING, CENTERING | 3 |
| 15 | 1A0292 | COLLAR, STOP | 3 |
| 16 | 2A0079-406 | CAP SCREW (TIGHTEN TO 7 -11 FT.-LBS.) | 12 |
| 17 | 1A0294 | CAP, END | 3 |
| 18 | 1A0290 | WASHER, CENTERING SPRING | 3 |
| 19 | 1V0208 | ADAPTER ASSEMBLY, REMOTE POWER BEYOND (Contains all necessary O-rings) | 1 |
| 20 | 2A283-7214 | GROMMET, RUBBER (BOTTOM OUTLET) | 1 |
| 21 | 1V1701 | PIN KIT | 3 |
| 22 | 2A0354-121 | PLUG, CONVERSION | 1 |
| | 2V0010 | SEAL KIT | |

* NOT SOLD SEPARATELY.

** COMPONENT IS 3-SPOOL VALVE WITH 1ST STAGE MOTOR SPOOL USED IN PLANETARY WINCH APPLICATIONS.

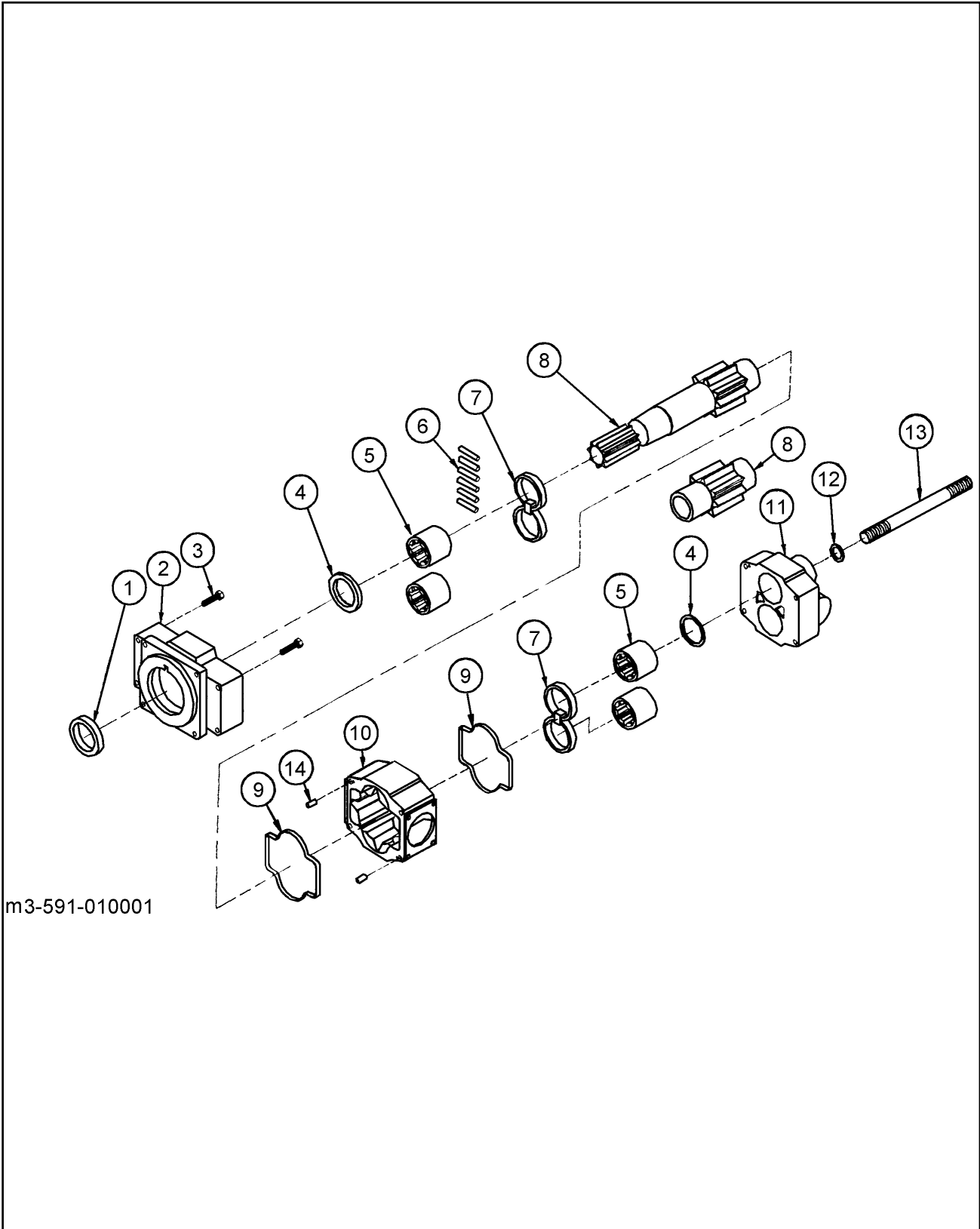


Figure 1-7 Pump, Wet Kit Hydraulic

PUMP, WET KIT HYDRAULIC

| ITEM | PART NO. | DESCRIPTION | QTY. |
|------|--------------|--|------|
| | 3-591-010001 | HYDR. PUMP, GEAR (COMM. SHEARING 312-9610-394) | 1 |
| 1 | 391-2883-058 | LIP SEAL | 1 |
| 2 | 312-5037-201 | HOUSING, SEC. | 1 |
| 3 | 391-3681-001 | CHECK, ASSEMBLY | 2 |
| 4 | 391-2585-006 | RING SEAL | 2 |
| 5 | 391-0381-068 | BRG. ROLLER | 4 |
| 6 | 391-2882-086 | SEAL, POCKET STRIP | 12 |
| 7 | 391-2185-013 | THRPL | 2 |
| 8 | 312-2917-130 | SET, GEAR SHAFT | 1 |
| 9 | 391-2884-050 | SEAL, SQ.-R | 2 |
| 10 | 312-8217-327 | HOUSING, GEAR | 1 |
| 11 | 312-3220-327 | HOUSING, PEC. | 1 |
| 12 | 391-3784-028 | WASHER | 4 |
| 13 | 391-1401-025 | CAPSCREW | 4 |
| 14 | 391-2082-032 | DOWEL PIN | 4 |
| | 391-1802-119 | SEAL KIT | |

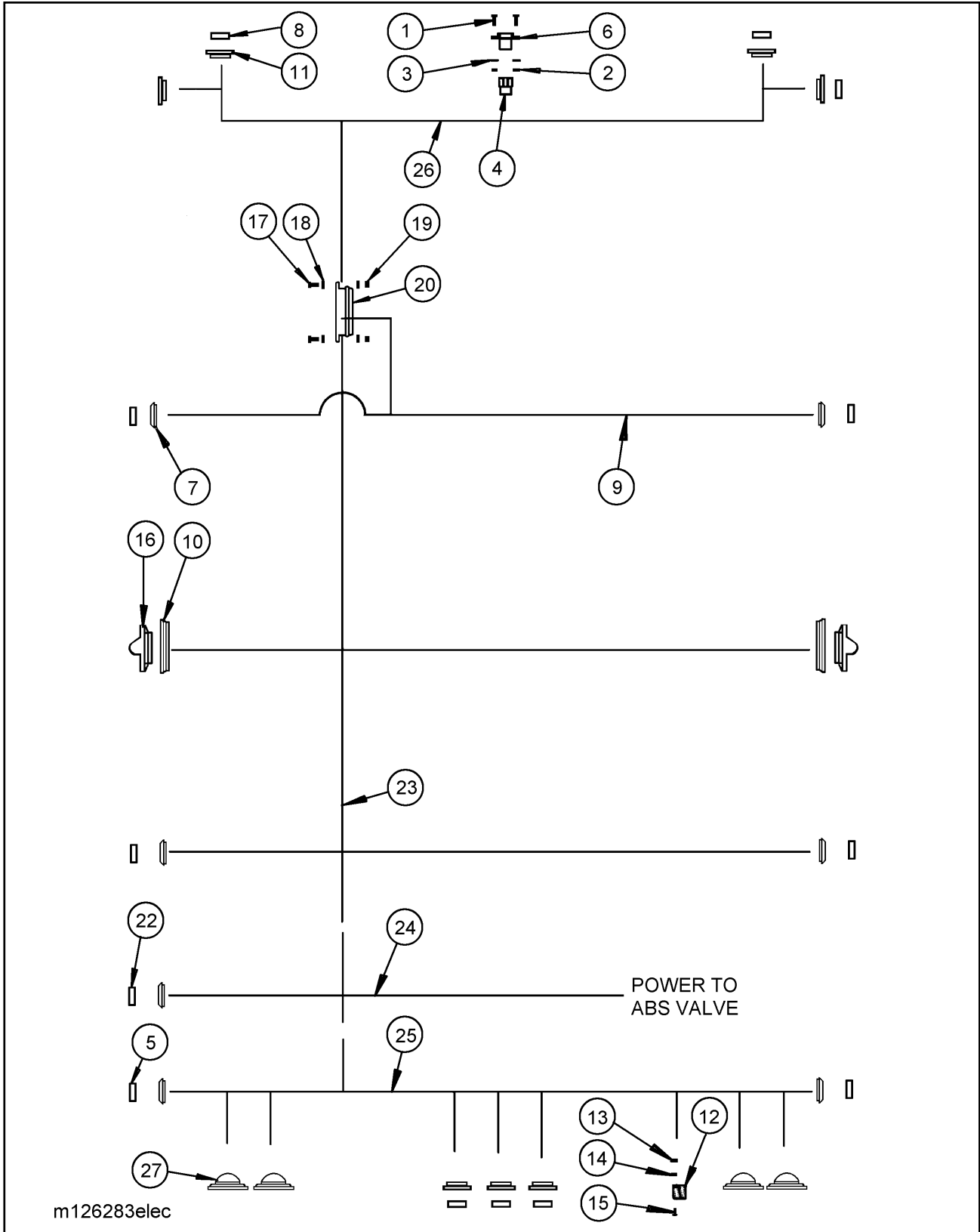


Figure 1-8 Electrical System Schematic

SCHEMATIC, ELECTRICAL SYSTEM

| ITEM | PART NO. | DESCRIPTION | QTY. |
|------|-----------------|--|------|
| 1 | 1-654-010049-06 | SCREW, HEX HEAD CAP 5/16-18 X 1-1/4 GR5 | 2 |
| 2 | 1-512-010005-03 | NUT, HEX LOCK 5/16-18 GRB | 2 |
| 3 | 1-861-010032-09 | WASHER, FLAT 5/16 | 2 |
| 4 | 59W-2-3 | BOOT, RUBBER | 1 |
| 5 | 10205R | LAMP, RED REFLECTOR | 5 |
| 6 | 59S-7 | RECEPTACLE, 7-PIN | 1 |
| 7 | 10403 | GROMMET MOUNT | 7 |
| 8 | 10205Y | LAMP, YELLOW REFLECTOR | 8 |
| 9 | 3-368-010057 | WIRE HARNESS, FRT, MAIN | 1 |
| 10 | 60700 | GROMMET, LIGHT | 2 |
| 11 | 10404 | GROMMET MOUNT | 7 |
| 12 | 15009 | LICENSE LAMP | 1 |
| 13 | 1-512-010007-03 | NUT, HEX #10-24 | 2 |
| 14 | 1-861-010034-07 | WASHER, SPLIT LOCK #10 | 2 |
| 15 | 1-656-010003051 | SCREW, RD HEAD MACH #10-24 X 3/4 | 2 |
| 16 | 60215Y | LAMP ONLY, TURN CLEARANCE | 2 |
| 17 | 1-654-010047-06 | SCREW, HEX HEAD CAP 1/4-20 X 1 GR5 | 2 |
| 18 | 1-861-010032-07 | WASHER, FLAT 1/4 | 2 |
| 19 | 1-512-010005-01 | NUT, HEX LOCK 1/4-20 GRB | 2 |
| 20 | 750-029 | JUNCTION BOX, 7 STUD | 1 |
| 21 | 1-796-010001 | TIE WRAPS (NOT SHOWN) | AR |
| 22 | 3-446-010046 | LIGHT ABS LAMP 2.5" DIA AMBER - ABS ONLY | 1 |
| 23 | 104143 | HARNESS, CTR TURN, ABS | 1 |
| 24 | 104150 | HARNESS, ABS POWER | 1 |
| 25 | 3-368-010060 | WIRE HARNESS, REAR | 1 |
| 26 | 3-368-010120 | HARNESS ASSEMBLY, FRONT MAIN | 1 |
| 27 | 40002R | LIGHT, 4" STOP TURN TAIL | 4 |

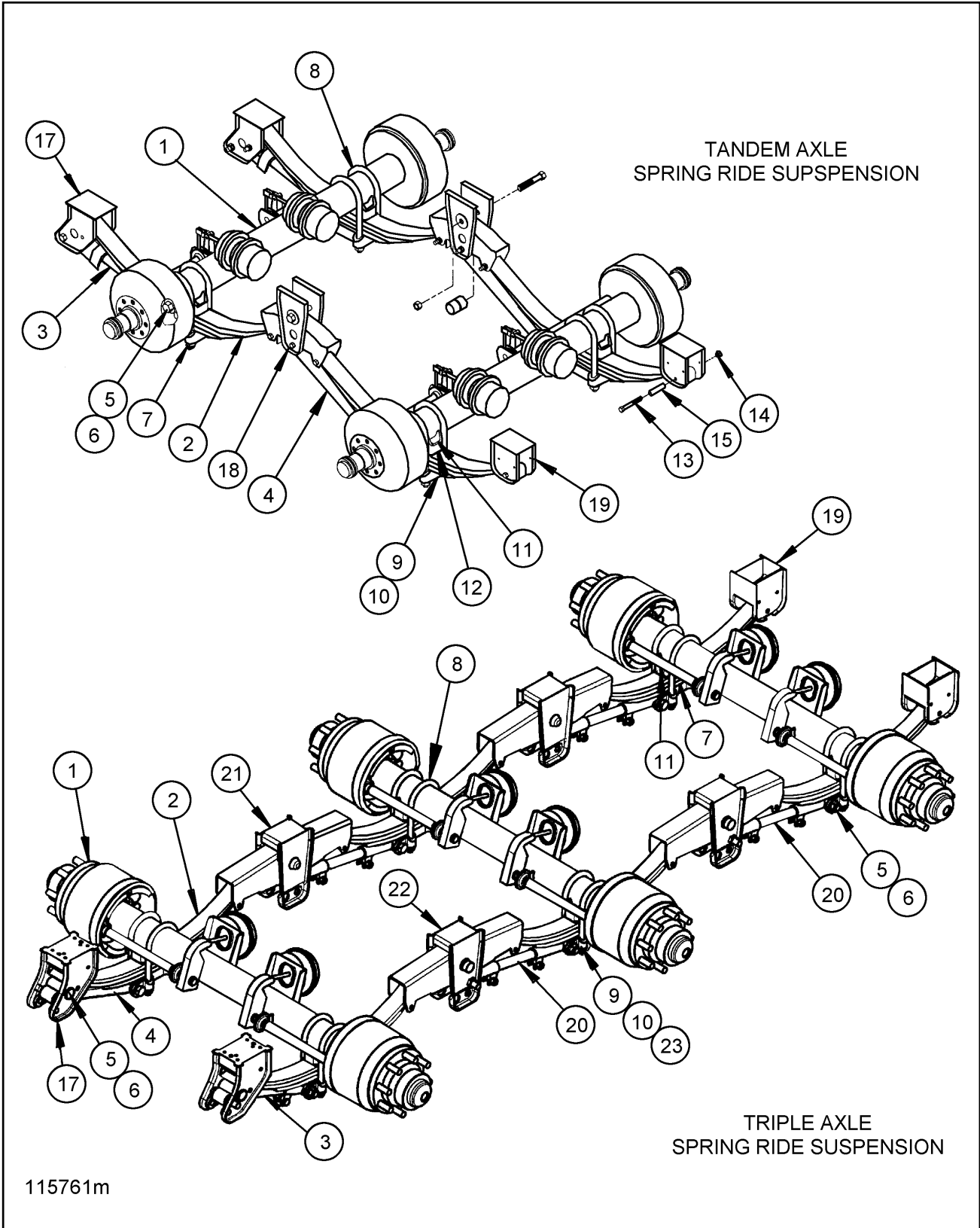


Figure 1-9 Suspension Assembly - Spring Ride

SUSPENSION ASSEMBLY - SPRING RIDE

| ITEM | PART NO. | DESCRIPTION | QTY |
|------|-----------------|---|-----|
| | 115761 | SUSP ASSY, SPRING 102 FRT (135 MODELS) (INCL. ITEMS 1-19) | 1 |
| | 115762 | SUSP ASSY, SPRING 102 RR (135 MODELS) (INCL. ITEMS 1-19) | 1 |
| | 117649 | SUSP ASSY, SPRING FRT (150 MODELS) (INCL. ITEMS 1-19) | 1 |
| | 117650 | SUSP ASSY, SPRING CTR/REAR (150 MODELS) (INCL. ITEMS 1-11, 17, 19-23) | 2 |
| 1 | 115709 | AXLE 77 12.25X7.5 SER BRAKE 25K (SEE PAGE 1-20) (USED IN P/N 117649) | 1 |
| | 115704 | AXLE 77 12.25X7.5 SPG BRAKE 25K (SEE PAGE 1-20) (USED IN P/N'S 115761, 115762, & 117650) | 1 |
| 2 | HUT16 | SPRING SINGLE LEAF HI ARCH STD HUTCH 7700 | 2 |
| 3 | 16398-04 | ADJUSTABLE TORQUE ARM | 1 |
| 4 | 715-00 | RIGID TORQUE ARM | 1 |
| 5 | 719-02 | RADIUS ROD BOLT 1-14 X 5 | 4 |
| 6 | 10562-00 | FLANGE LOCKOUT 1-14 GRF | 4 |
| 7 | 706-01 | BOTTOM PLATE SINGLE LEAF | 2 |
| 8 | 7816-10 | U-BOLT STD 875 | 4 |
| 9 | 35-00 | WASHER PL 15/16 | 8 |
| 10 | 34-04 | NUT HEX 7/8-14 | 8 |
| 11 | 301-01 | AXLE SEAT | 2 |
| 12 | 7052-02 | DELFIN LINER SINGLE LEAF | 2 |
| 13 | 759-00 | BOLT HEX 5/8-18 X 4-1/2 | 2 |
| 14 | 37-03 | NUT HEX LOCK 5/8-18 GRB | 2 |
| 15 | 756-00 | SLEEVE SPACER 3/4 X 18GA X 3-1/4 | 2 |
| 16 | 16086-01 | DECAL (NOT SHOWN) | 1 |
| 17 | 7701-02 | SPRING HANGER, FRONT, UN | 2 |
| 18 | 108673 | CENTER HANGER | 2 |
| 19 | 7703-02 | SPRING HANGER, REAR, UN | 2 |
| 20 | 16398-08 | TORQUE ARM ASSEMBLY - ADJ. | 2 |
| 21 | 16451-03 | ROCKER/HANGER ASSEMBLY LH | 2 |
| 22 | 16451-04 | ROCKER/HANGER ASSEMBLY RH | 2 |
| 23 | 10506-00 | BUMP OUT, 1.5 X 3 | 4 |
| | 3-762-010667-02 | SUSPENSION KIT (135 MODELS) (INCL. ITEMS 3-19) | |
| | 117647 | SUSPENSION KIT (150 MODELS) (INCL. ITEMS 3-11, 17, 19-23) | |

NOTE: QUANTITIES SHOWN FOR ITEMS 2 THROUGH 17 ARE PER AXLE.

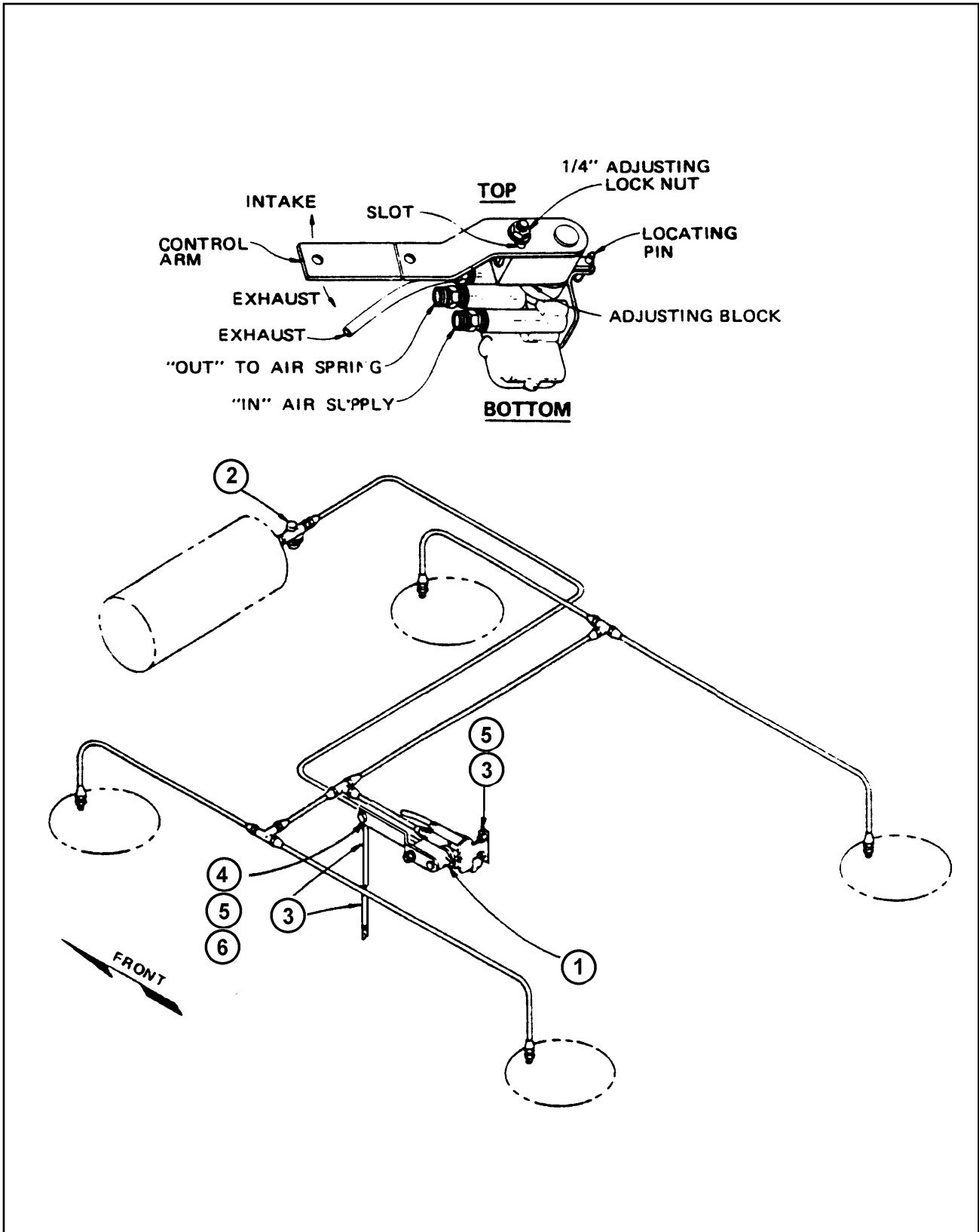


Figure 1-10 Air Control Kit (Option)

AIR CONTROL KIT (OPTION)

| ITEM | PART NO. | DESCRIPTION | QTY. |
|------|------------|---|------|
| | 102732 | AIR CONTROL KIT NEWAY | |
| 1 | 900 54 007 | HEIGHT CONTROL VALVE | 1 |
| 2 | 905-54-107 | AIR PRESSURE PROTECTION VALVE & FILTER | 1 |
| 3 | 481 00 224 | SRK - 167 KIT (ADJ. LINK ASSY) | 1 |
| 4 | 930 02 349 | CAP SCREW 1/4-20 X 3/4 | 2 |
| 5 | 934 00 060 | LOCK NUT 1/4-20 | 2 |
| 6 | 941 00 119 | DECAL (OPERATING) | 1 |
| 7 | 941 00 466 | HEIGHT CONTROL VALVE INSTRUCTIONS (NOT SHOWN) | 1 |

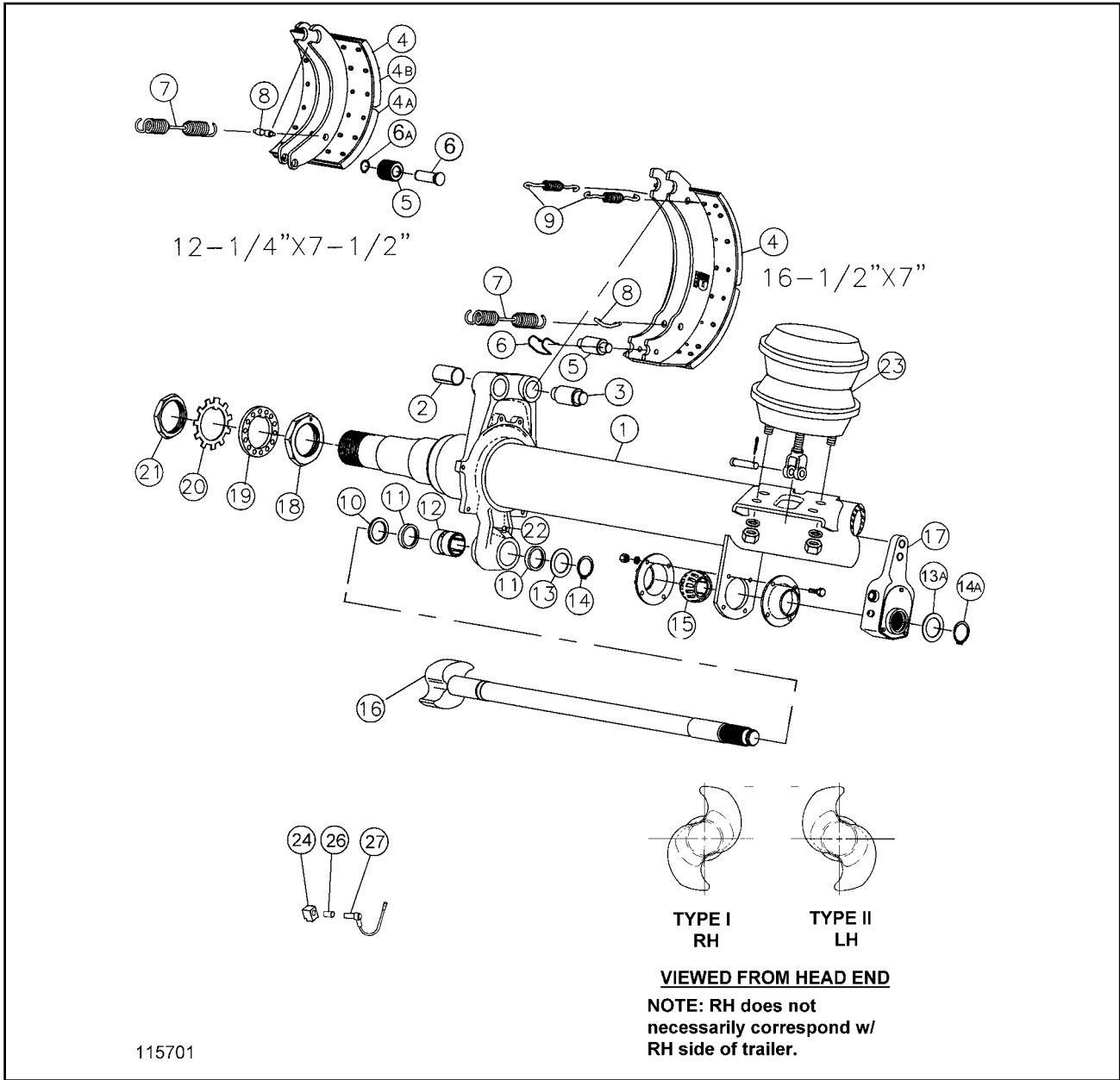


Figure 1-11 Axle and Brake Assembly

AXLE AND BRAKE ITEMS (DEXTER)

| ITEM | PART NO. | DESCRIPTION | QTY |
|------|--------------|---|-----|
| | 115704 | AXLE 12.25X7.5 SPG BRK 25K 77 TRK | |
| | 115709 | AXLE 12.25X7.5 SER BRK 25K 77 TRK | |
| | 115715 | AXLE 16-1/2 X 7 SPG BRK 25K75 TRK | |
| 1* | D2H12 | BEAM W/ BRACKETS (12.25 X 7.5) | |
| | D-2H16 | BEAM W/ BRACKETS (16.5 X 7) | 1 |
| | **K71-460-00 | BRAKE SHOE HARDWARE KIT (12.25 X 7.5) (INCL ITEMS 2-3, 5-9) | |
| | **K71-136-00 | BRAKE SHOE HDWR KIT (16.5 X 7) (ITEMS 2, 3, 5, 6, 7, 8, & 9) | |
| 2** | 014-068-00 | BUSHING, ANCHOR PIN | 4 |
| 3** | 056-017-00 | PIN, ANCHOR | 4 |

AXLE AND BRAKE ITEMS (DEXTER)

| ITEM | PART NO. | DESCRIPTION | QTY |
|--------|---------------|---|-----|
| 4 | 040-320-01 | SHOE AND LINING ASSEMBLY (12.25 X 7.5) | 4 |
| | 040-180-00 | SHOE AND LINING ASSEMBLY (16.5 X 7) | 4 |
| 4A | 041-060-01 | LINING - BRAKE BLOCK CAM (12.25 X 7.5) | 2 |
| | 041-058-01 | LINING - BRAKE BLOCK CAM (16.5 X 7) | 2 |
| 4B | 041-057-01 | LINING - BRAKE BLOCK ANCHOR (12.25 X 7.5) | 4 |
| | 041-059-01 | LINING - BRAKE BLOCK ANCHOR (16.5X7) | 4 |
| | K71-133-00 | BRAKE BLOCK KIT (12.25 X 7.5) | 4 |
| | K71-138-00 | BRAKE BLOCK KIT (16.5 X 7) | 4 |
| 5** | 014-057-00 | ROLLER (12.25 X 7.5) | 4 |
| | 014-065-00 | ROLLER (16.5 X 7.5) | 4 |
| 6** | 056-010-00 | RETAINER, ROLLER PIN (12.25 X 7.5) | 8 |
| | 071-122-00 | RETAINER, ROLLER (16.5 X 7) | 4 |
| 6A** | 069-018-00 | RETAINER RING (12.25 X 7.5 ONLY) | 8 |
| 7** | 046-092-00 | SPRING, SHOE RETRACTOR (12.25 X 7.5) | 2 |
| | 046-096-00 | SPRING, SHOE RETRACTOR (16.5 X 7) | 2 |
| 8** | 056-018-00 | RETAINER PIN RETRACTOR SPRING | 4 |
| 9** | 046-097-00 | KEEPER SPRING | 4 |
| | ***K71-101-00 | CAMSHAFT REPAIR KIT (12.25 X 7.5) (ITEMS 10-15, & 22) | |
| | ***K71-135-00 | CAMSHAFT REPAIR KIT (16.5 X 7) (ITEMS 10-15, & 22) | |
| 10*** | 005-074-00 | D" WASHER - CAMSHAFT (12.25 X 7.5) | 2 |
| | 005-096-00 | WASHER CAMSHAFT (16.5 X 7) | 2 |
| 11*** | 010-052-00 | SEAL GREASE | 4 |
| 12*** | 014-056-00 | BUSHING CAMSHAFT SPIDER | 2 |
| 13*** | 005-075-00 | WASHER, CAMSHAFT (12.25 X 7.5) | |
| | 005-097-00 | WASHER, CAMSHAFT (16.5 X 7) | |
| 13A*** | 005-134-00 | WASHER CAMSHAFT | 2 |
| 14*** | 069-020-00 | RETAINER CAMSHAFT | |
| 14A*** | 069-078-00 | RETAINER CAMSHAFT | 2 |
| 15*** | 014-058-00 | BUSHING CAMSHAFT SUPPORT | 2 |
| 16 | 034-188-05 | CAMSHAFT, 23-3/8" LH (12.25 X 7.5) | 1 |
| | 034-189-05 | CAMSHAFT, 23-3/8" RH (12.25 X 7.5) | 1 |
| | 034-192-08 | CAMSHAFT, 25" LH (16.5 X 7) | 1 |
| | 034-193-08 | CAMSHAFT, 25" RH (16.5 X 7) | 1 |
| 17 | 127777 | SLACK ADJUSTER, AUTOMATIC (12.25 X 7.5) | 2 |
| | 127778 | SLACK ADJUSTER, AUTOMATIC (16.5 X 7) | |
| | 127779 | CLEVIS AND MOUNTING KIT FOR AUTO SLACK ADJUSTER | 1 |
| 18 | 006-114-00 | NUT, INNER SPINDLE | 2 |
| 19 | 005-098-00 | WASHER, SPINDLE LOCK | 2 |
| 20 | 005-099-00 | WASHER, TABBED SPINDLE LOCK | 2 |
| 21 | 006-115-00 | NUT, OUTER SPINDLE | 2 |
| 22*** | 061-006-00 | FITTING, GREASE 45° | 2 |
| 23 | 034-058-07 | CHAMBER, BRAKE (SPRING BRAKE) (12.25 X 7.5) | 2 |
| | 034-057-07 | CHAMBER, BRAKE (SERVICE BRAKE) (12.25 X 7.5) | 2 |
| | 034-058-01 | CHAMBER, BRAKE (SPRING BRAKE) (16.5 X 7) | 2 |
| 24 | 024-100-00 | SENSOR BLOCK, LOWER | 2 |
| 26 | 097-002-00 | RETAINER CLIP | 2 |
| 27 | 128550 | ABS SENSOR, 90 | 2 |

* WHEN ORDERING THE BEAM WITH SPINDLE, SPIDER, AND BRACKETS ATTACHED, YOU WILL NEED THE SERIAL NUMBER ON AXLE BEAM, MODEL, SIZE, TRACK LENGTH, BRAKE SIZE, AND CAMSHAFT LENGTH.

** THESE PARTS ARE AVAILABLE AS PART OF THE BRAKE SHOE REPAIR KIT LISTED.

*** THESE PARTS ARE AVAILABLE AS PART OF THE CAMSHAFT REPAIR KIT LISTED.

NOTE: FOR HUB AND DRUM INFORMATION, SEE PAGE 1-35.

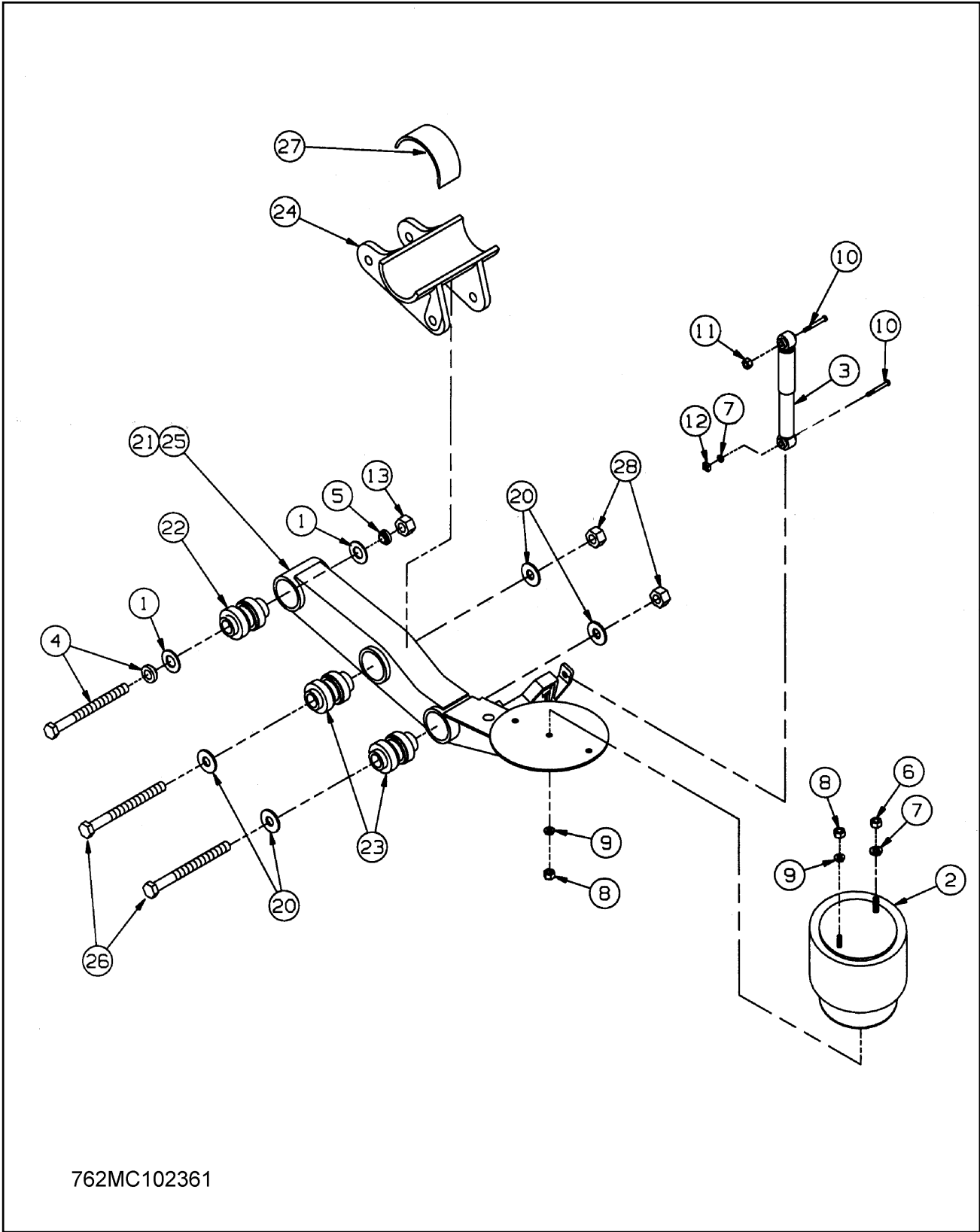
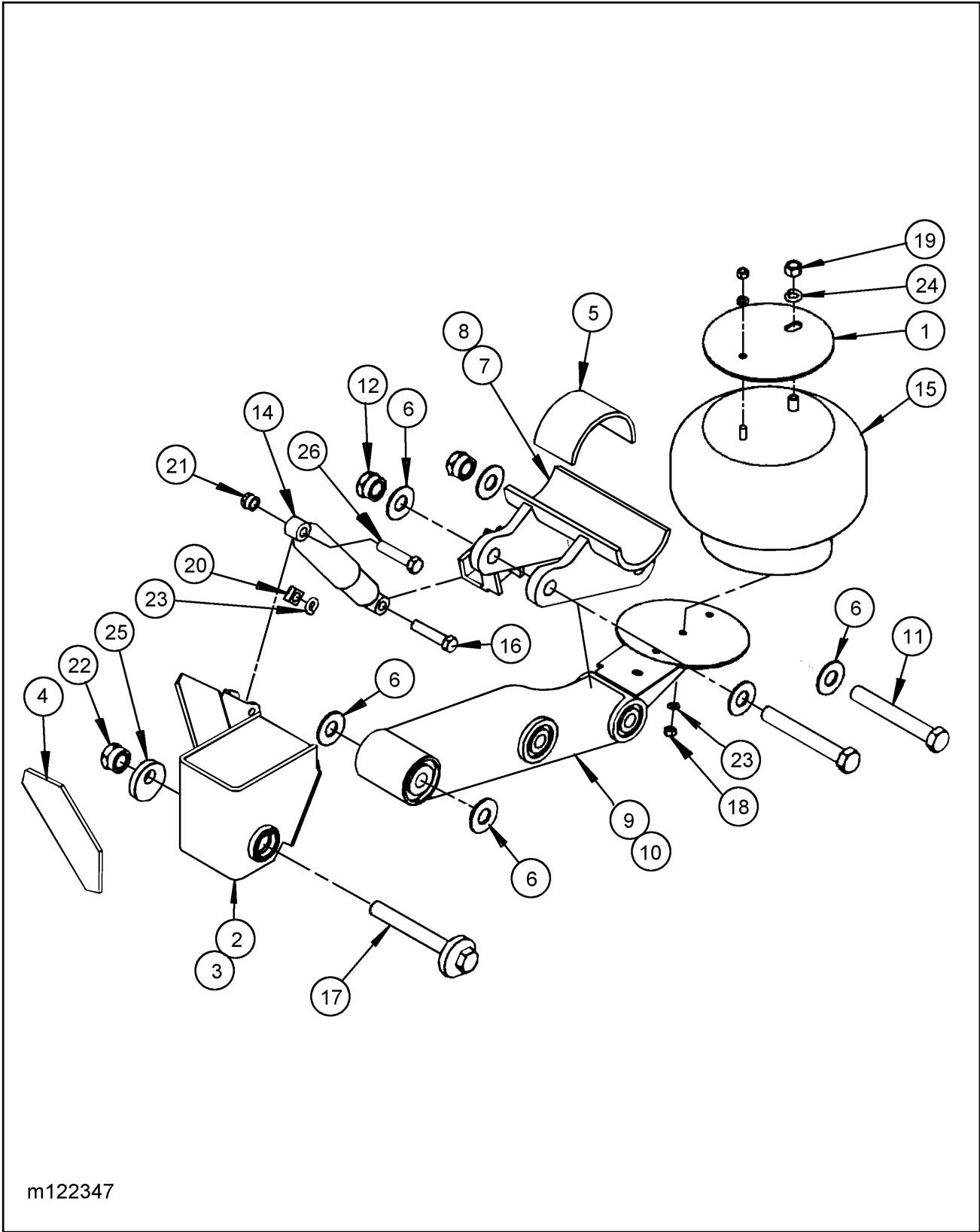


Figure 1-12 Suspension Hanger RLU-228-3.5

SUSPENSION HANGER RLU-228-3.5

| ITEM | PART NO. | DESCRIPTION | QTY. |
|------|-----------------|--|------|
| | 102363 | SUSPENSION, ADJ. RLU-228-3.5 (INCL ITEMS 1-19) | |
| | 102361 | SUSPENSION, BEAM. RLU-228(INCL ITEMS 20-28) | |
| 1 | 111010 | FLAT WASHER | 2 |
| 2 | 111020 | AIR SPRING ASSEMBLY | 2 |
| 3 | 900 45 040 | SHOCK | 2 |
| 4 | 111006 | ALIGN BUSH ASSEMBLY (CONSISTS OF:) | 2 |
| | 93201057 | ROD BOLT | 1 |
| | 90008184 | ALIGN BLOCK | 1 |
| 5 | 111007 | ALIGN BLOCK | 2 |
| 6 | 934 00 149 | 3/4-16 HEX NUT GRB | 2 |
| 7 | 936 00 077 | LOCK WASHER, 3/4" | 4 |
| 8 | 1-512-010007-09 | HEX NUT, 1/2-13 | 4 |
| 9 | 1-861-010034-13 | LOCK WASHER, 1/2" | 4 |
| 10 | 105408 | HEX HEAD CAP SCREW 3/4-10 X 3-1/2 | 4 |
| 11 | 934-00-492 | LOCK NUT, 3/4" - 10 | 2 |
| 12 | 111022 | 3/4-10 SQUARE NUT | 2 |
| 13 | 111008 | LOCK NUT 1-1/8-7 | 2 |
| 14 | 111018 | ANCHOR, RIDE HEIGHT CONTROL VALVE (NOT SHOWN) | 1 |
| 15 | 94100787 | LITERATURE INSTRUCTIONS (NOT SHOWN) | 1 |
| 16 | 94100685 | LITERATURE SPEC (NOT SHOWN) | 1 |
| 17 | 94100648 | LITERATURE FORM 864 (NOT SHOWN) | 1 |
| 18 | 94100590 | LITERATURE LABEL (NOT SHOWN) | 1 |
| 19 | 94100790 | LITERATURE LABEL (NOT SHOWN) | 1 |
| | 111019 | FASTENER KIT (INCL. 1, 4-11, 13, 15) | 1 |
| 20 | 111010 | FLAT WASHER | 8 |
| 21 | 111013 | EQUALIZING BEAM ASSEMBLY LH | 1 |
| 22 | 900-08-139 | RUBBER BUSHING (FRONT PIVOT) | 2 |
| 23 | 111011 | RUBBER BUSHING (AXLE CONNECTION) | 4 |
| 24 | 111012 | AXLE ADAPTER ASSEMBLY | 2 |
| 25 | 111014 | EQUALIZING BEAM ASSEMBLY RH | 1 |
| 26 | 111023 | HEX HEAD CAP SCREW 1-1/8-7 X 8-1/2 | 4 |
| 27 | 111015 | SAFETY STRAP | 2 |
| 28 | 111008 | LOCK NUT 1-1/8-7 | 4 |
| | 109533 | ALIGNMENT BLOCK ASSEMBLY (INCL. 1, 4, 5, & 13) (ONE PER SIDE) | |

NOTE: QUANTITIES LISTED ARE PER AXLE.



m122347

Figure 1-13 Suspension Hanger RLU-228-6.3

SUSPENSION HANGER RLU-228-6.3

| ITEM | PART NO. | DESCRIPTION | QTY. |
|------|-----------------|-----------------------------------|------|
| | 122345 | SUSPENSION, BEAM RLU-228-6.3 | |
| | 122346 | SUSPENSION, FASTENER RLU-228-6.3 | |
| 1 | 3-565-010047 | AIR SPRING MOUNTING PLATE | 2 |
| 2 | 122348 | BRACKET, FRAME EZ ALIGN LH | 1 |
| 3 | 122349 | BRACKET, FRAME ASSEMBLY ADJ RH | 1 |
| 4 | 900 23 002 | BRACE, ANGLE | 2 |
| 5 | 900-25-288 | SAFETY STRAP | 2 |
| 6 | 111010 | FLAT WASHER | 12 |
| 7 | 129009 | AXLE ADAPTER ASSEMBLY LH | 1 |
| 8 | 129001 | AXLE ADAPTER ASSEMBLY RH | 1 |
| 9 | 129002 | BEAM EQUALIZING ASSEMBLY LH | 1 |
| 10 | 129003 | BEAM EQUALIZING ASSEMBLY RH | 1 |
| 11 | 932 01 051 | SCREW, HEAD CAP | 4 |
| 12 | 934-00-506 | NUT, HEX LOCK 1-1/8-7 GRB | 4 |
| 14 | 900-44-162 | SHOCK ABSORBER | 2 |
| 15 | 123594 | AIR SPRING | 2 |
| 16 | 129004 | SCREW, HEX HEAD CAP 3/4-10 X 4 | 2 |
| 17 | 129005 | ALIGNMENT BLOCK | 2 |
| 18 | 1-512-010007-09 | HEX NUT, 1/2-13 | 4 |
| 19 | 934 00 149 | 3/4-16 HEX NUT GRB | 2 |
| 20 | 111022 | 3/4-10 SQUARE NUT | 2 |
| 21 | 934 00 492 | LOCK NUT, 3/4" - 10 | 2 |
| 22 | 111008 | LOCK NUT 1-1/8-7 | 2 |
| 23 | 1-816-010034-13 | LOCK WASHER, 1/2" | 4 |
| 24 | 936 00 077 | LOCK WASHER, 3/4" | 4 |
| 25 | 129006 | ALIGNMENT BLOCK NON WELD | |
| 26 | 105408 | HEX HEAD CAP SCREW 3/4-10 X 3-1/2 | 4 |

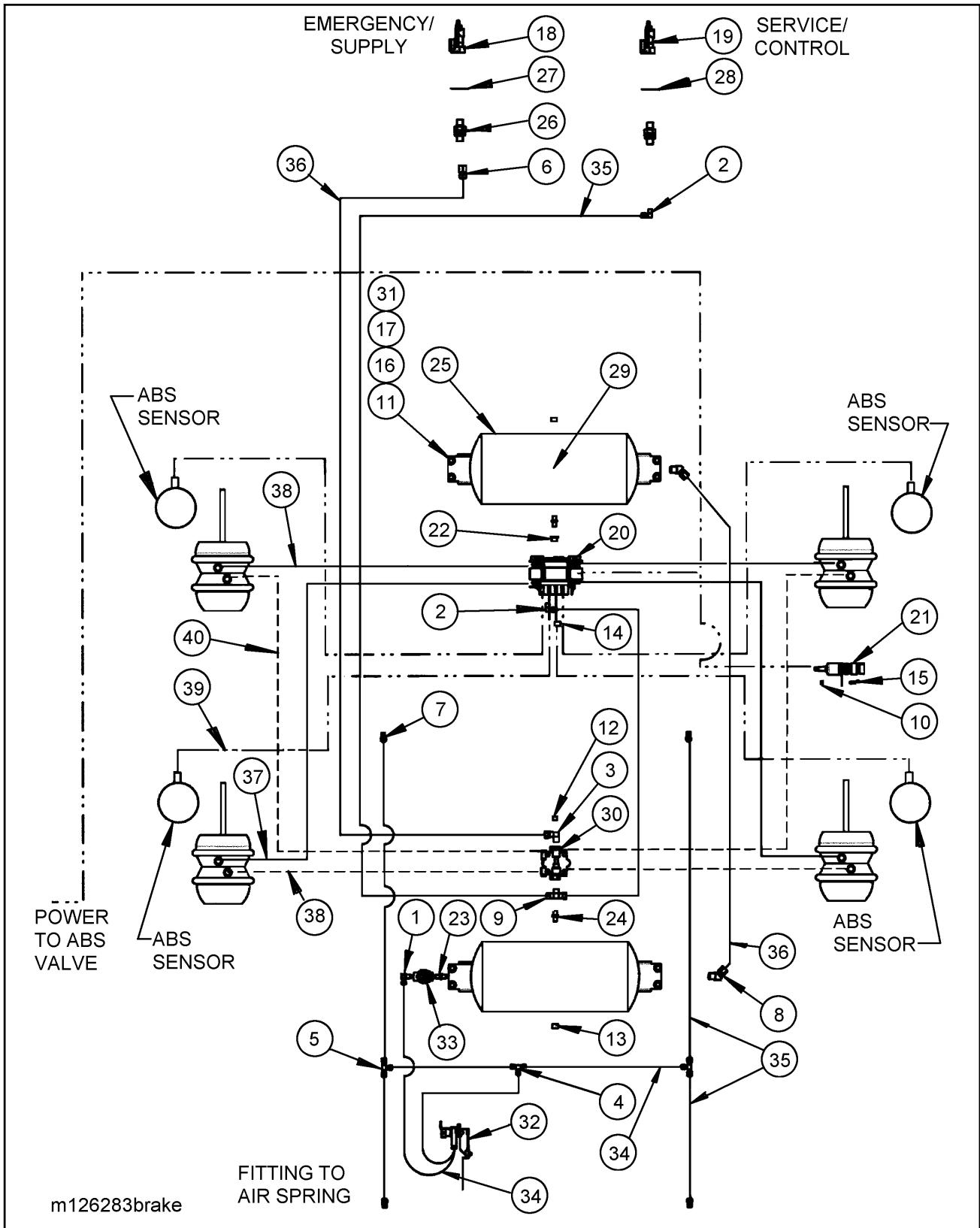


Figure 1-14 Spring Air Brake System w/ ABS, Tandem Axle (Air Ride)

AIR BRAKE SYSTEM W/ ABS, TANDEM (AIR RIDE)

| ITEM | PART NO. | DESCRIPTION | QTY. |
|------|-----------------|---|------|
| | 126283 | FRAME ASSEMBLY, AIR RIDE (135) | |
| 1 | 1-297-010008-07 | FITTING AIR 90 | 1 |
| 2 | 1-297-010008-18 | FITTING AIR 90 | 2 |
| 3 | 1-297-010008-23 | FITTING AIR 90 | 1 |
| 4 | 1-297-010010-01 | FITTING AIR UNION TEE | 1 |
| 5 | 1-297-010010-04 | FITTING AIR UNION TEE | 2 |
| 6 | 1-297-010012-16 | FITTING, AIR FEMALE | 1 |
| 7 | 1-297-010013-11 | FITTING AIR | 4 |
| 8 | 1-297-010013-16 | FITTING AIR 45 | 2 |
| 9 | 1-297-010015-07 | FITTING AIR BRANCH TEE 3/8-3/8 | 1 |
| 10 | 1-512-010005-01 | NUT HEX LOCK 1/4-20 | 2 |
| 11 | 1-512-010005-05 | NUT, HEX LOCK 3/8-16 | 14 |
| 12 | 1-560-010002-03 | PIPE PLUG 3/8 | 5 |
| 13 | 1-560-010002-04 | PIPE PLUG 1/2 | 3 |
| 14 | 1-560-010002-05 | PIPE PLUG 3/4-14 | 2 |
| 15 | 1-654-010047-06 | SCREW HEX HEAD CAP 1/4-20 X 1 GR5 | 2 |
| 16 | 1-654-010051-08 | SCREW HEX HEAD CAP 3/8-16 X 1-3/4 GR5 | 8 |
| 17 | 1-861-010032-11 | WASHER FLAT 3/8W | 10 |
| 18 | 108801 | GLADHAND RED AIR | 1 |
| 19 | 108802 | GLADHAND BLUE AIR | 1 |
| 20 | 114588 | ECU/VALVE ASSEMBLY 4S/2M | REF |
| 21 | 114590 | DIAGNOSTIC CABLE BLINK LIGHT | REF |
| 22 | 118-2659-9 | BUSHING 1/2 X 3/4 | 2 |
| 23 | 2083-8-4S | NIPPLE HEX 1/2 - 1/4 | 1 |
| 24 | 2083-8-8S | NIPPLE 1/2 - 1/2 | 1 |
| 25 | 3-780-010002 | TANK AIR | 2 |
| 26 | 55B61 | FRAME UNION | 2 |
| 27 | 55B61-6 | TAG EMERGENCY LINE | 1 |
| 28 | 55B61-7 | TAG SERVICE LINE | 1 |
| 29 | 56D4 | AIR TANK DRAIN COCK | 2 |
| 30 | 758-181 | VALVE RELAY EMERGENCY | 1 |
| 31 | 805-2 | STEP BUSHING | 16 |
| 32 | 900-54-007 | HEIGHT CONTROL VALVE | REF |
| 33 | 905-54-107 | AIR PRESSURE PROTECTION VALVE | REF |
| 34 | 1-833-010001 | TUBING NYLON 1/4 | AR |
| 35 | 1-833-010002 | TUBING NYLON 3/8 | AR |
| 36 | 1-833-010003 | TUBING NYLON 1/2 | AR |
| 37 | 1-384-010038076 | HOSE AIR 3/8 X 76 | 2 |
| 38 | 3-384-010020 | HOSE, AIR 3/8 X 32 | 4 |
| 39 | 101848 | SENSOR EXTENSION CABLE (6') | REF |
| 40 | 1-384-010038054 | HOSE AIR 3/8 X 54 | 2 |
| 41 | 114584 | BRAKE KIT, ABS 4S/2M (INCL ITEMS 20-21,39) (SEE PAGE 1-33) | 1 |
| | 114586 | BRAKE KIT, ABS 4S/2M TRI/SPR (INCL ITEMS 20-21,39) (USED ON 135-48 10-1 BB ONLY) (SEE PAGE 1-33) | 1 |
| 42 | 102732 | AIR CONTROL KIT (INCL ITEMS 32-33) (SEE PAGE 1-19) | 1 |

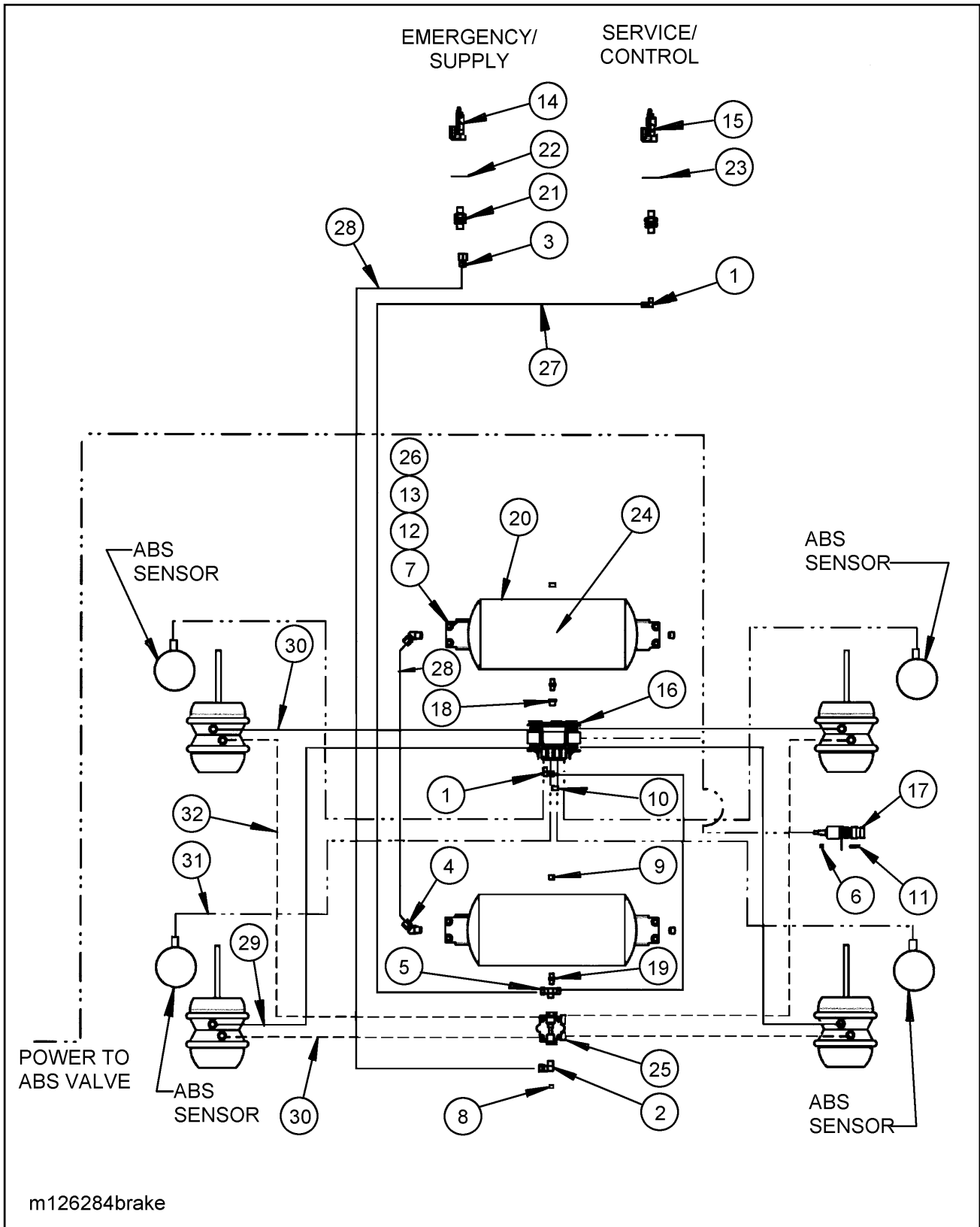


Figure 1-15 Spring Air Brake System w/ ABS, Tandem Axle (Spring Ride)

AIR BRAKE SYSTEM W/ ABS, TANDEM (SPRING RIDE)

| ITEM | PART NO. | DESCRIPTION | QTY. |
|------|-----------------|---|------|
| | 126284 | FRAME ASSEMBLY, SPRING RIDE (135) | |
| 1 | 1-297-010008-18 | FITTING AIR 90 | 2 |
| 2 | 1-297-010008-23 | FITTING AIR 90 | 1 |
| 3 | 1-297-010012-16 | FITTING, AIR FEMALE | 1 |
| 4 | 1-297-010013-16 | FITTING AIR 45 | 2 |
| 5 | 1-297-010015-07 | FITTING AIR BRANCH TEE 3/8-3/8 | 1 |
| 6 | 1-512-010005-01 | NUT HEX LOCK 1/4-20 | 2 |
| 7 | 1-512-010005-05 | NUT, HEX LOCK 3/8-16 | 8 |
| 8 | 1-560-010002-03 | PIPE PLUG 3/8 | 1 |
| 9 | 1-560-010002-04 | PIPE PLUG 1/2 | 4 |
| 10 | 1-560-010002-05 | PIPE PLUG 3/4-14 | 1 |
| 11 | 1-654-010047-06 | SCREW HEX HEAD CAP 1/4-20 X 1 GR5 | 2 |
| 12 | 1-654-010051-08 | SCREW HEX HEAD CAP 3/8-16 X 1-3/4 GR5 | 8 |
| 13 | 1-861-010032-11 | WASHER FLAT 3/8W | 8 |
| 14 | 108801 | GLADHAND RED AIR | 1 |
| 15 | 108802 | GLADHAND BLUE AIR | 1 |
| 16 | 114588 | ECU/VALVE ASSEMBLY 4S/2M | REF |
| 17 | 114590 | DIAGNOSTIC CABLE BLINK LIGHT | REF |
| 18 | 118-2659-9 | BUSHING 1/2 X 3/4 | 1 |
| 19 | 2083-8-8S | NIPPLE 1/2 - 1/2 | 2 |
| 20 | 3-780-010002 | TANK AIR | 2 |
| 21 | 55B61 | FRAME UNION | 2 |
| 22 | 55B61-6 | TAG EMERGENCY LINE | 1 |
| 23 | 55B61-7 | TAG SERVICE LINE | 1 |
| 24 | 56D4 | AIR TANK DRAIN COCK | 2 |
| 25 | 758-181 | VALVE RELAY EMERGENCY | 1 |
| 26 | 805-2 | STEP BUSHING | 16 |
| 27 | 1-833-010002 | TUBING NYLON 3/8 | AR |
| 28 | 1-833-010003 | TUBING NYLON 1/2 | AR |
| 29 | 1-384-010038076 | HOSE AIR 3/8 X 76 | 2 |
| 30 | 3-384-010020 | HOSE, AIR 3/8 X 32 | 4 |
| 31 | 101848 | SENSOR EXTENSION CABLE (6') | REF |
| 32 | 1-384-010038054 | HOSE AIR 3/8 X 54 | 2 |
| 33 | 114584 | BRAKE KIT, ABS 4S/2M (INCL ITEMS 16-17,31) (SEE PAGE 1-33) | 1 |

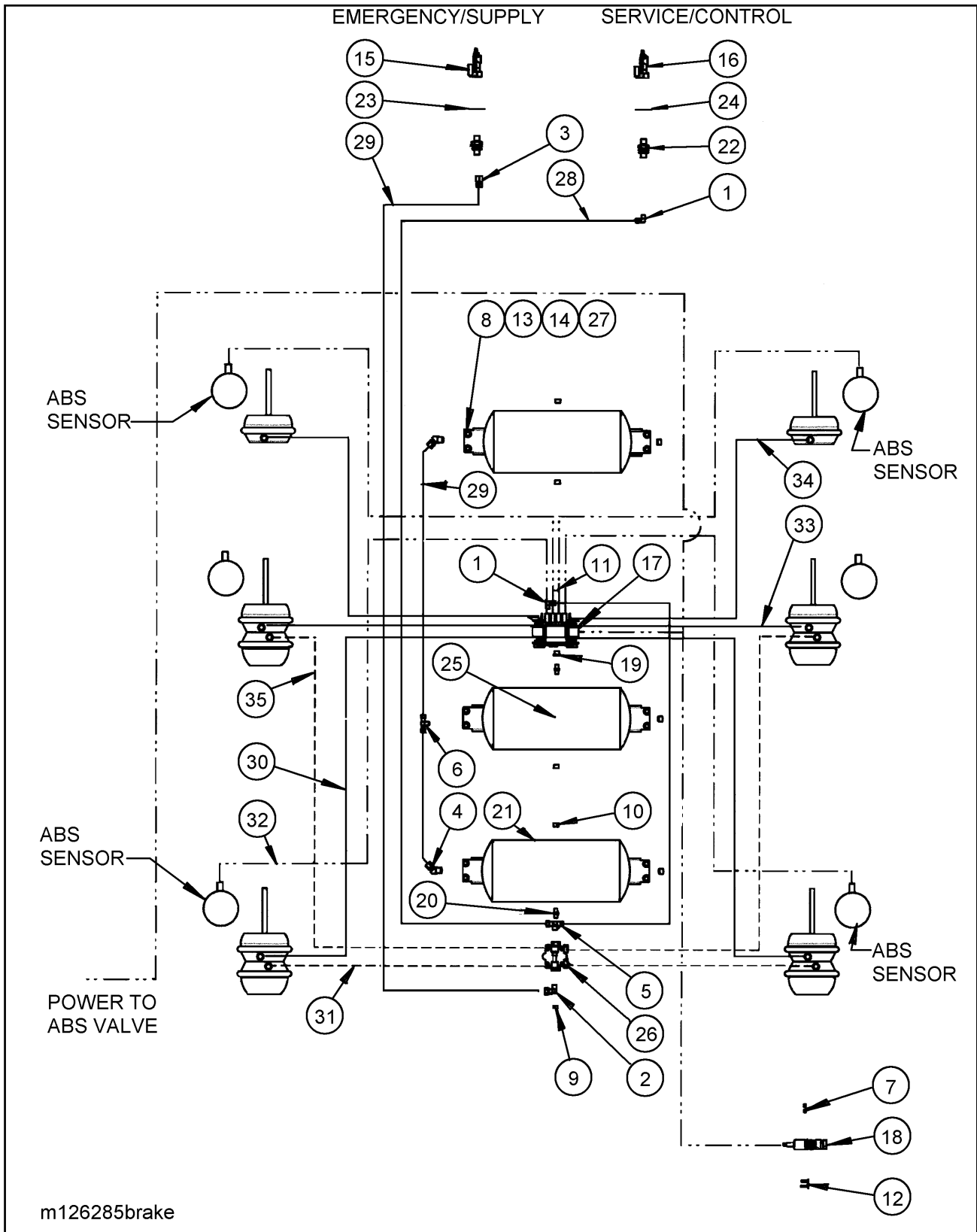
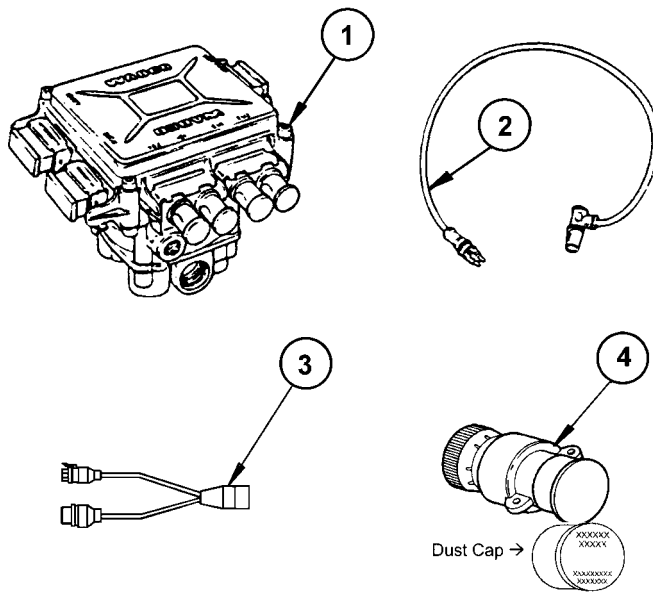


Figure 1-16 Spring Air Brake System w/ ABS, Triple Axle (Spring Ride)

AIR BRAKE SYSTEM W/ ABS, TRIPLE (SPRING RIDE)

| ITEM | PART NO. | DESCRIPTION | QTY. |
|------|-----------------|---|------|
| | 126285 | FRAME ASSEMBLY SPRING RIDE (150) | |
| 1 | 1-297-010008-18 | FITTING AIR 90 | 2 |
| 2 | 1-297-010008-23 | FITTING AIR 90 | 1 |
| 3 | 1-297-010012-16 | FITTING, AIR FEMALE | 1 |
| 4 | 1-297-010013-16 | FITTING AIR 45 | 2 |
| 5 | 1-297-010015-07 | FITTING AIR BRANCH TEE 3/8-3/8 | 1 |
| 6 | 1-297-010015-11 | FITTING AIR BRANCH TEE 1/2-1/2 | 1 |
| 7 | 1-512-010005-01 | NUT HEX LOCK 1/4-20 | 2 |
| 8 | 1-512-010005-05 | NUT, HEX LOCK 3/8-16 | 12 |
| 9 | 1-560-010002-03 | PIPE PLUG 3/8 | 1 |
| 10 | 1-560-010002-04 | PIPE PLUG 1/2 | 7 |
| 11 | 1-560-010002-05 | PIPE PLUG 3/4-14 | 1 |
| 12 | 1-654-010047-06 | SCREW HEX HEAD CAP 1/4-20 X 1 GR5 | 2 |
| 13 | 1-654-010051-08 | SCREW HEX HEAD CAP 3/8-16 X 1-3/4 GR5 | 12 |
| 14 | 1-861-010032-11 | WASHER FLAT 3/8W | 24 |
| 15 | 108801 | GLADHAND RED AIR | 1 |
| 16 | 108802 | GLADHAND BLUE AIR | 1 |
| 17 | 114588 | ECU/VALVE ASSEMBLY 4S/2M | REF |
| 18 | 114590 | DIAGNOSTIC CABLE BLINK LIGHT | REF |
| 19 | 118-2659-9 | BUSHING 1/2 X 3/4 | 1 |
| 20 | 2083-8-8S | NIPPLE 1/2 - 1/2 | 2 |
| 21 | 3-780-010002 | TANK AIR | 3 |
| 22 | 55B61 | FRAME UNION | 2 |
| 23 | 55B61-6 | TAG EMERGENCY LINE | 1 |
| 24 | 55B61-7 | TAG SERVICE LINE | 1 |
| 25 | 56D4 | AIR TANK DRAIN COCK | 3 |
| 26 | 758-181 | VALVE RELAY EMERGENCY | 1 |
| 27 | 805-2 | STEP BUSHING | 24 |
| 28 | 1-833-010002 | TUBING NYLON 3/8 | AR |
| 29 | 1-833-010003 | TUBING NYLON 1/2 | AR |
| 30 | 1-384-010038076 | HOSE AIR 3/8 X 76 | 2 |
| 31 | 101003 | HOSE AIR 3/8 X 48 | 2 |
| 32 | 101848 | SENSOR EXTENSION CABLE (6') | 1 |
| 33 | 1-384-010038024 | HOSE AIR 3/8 X 24 | 2 |
| 34 | 1-384-010038084 | HOSE AIR 3/8 X 84 | 2 |
| 35 | 1-384-010038072 | HOSE AIR 3/8 X 72 | 2 |
| 36 | 114584 | BRAKE KIT, ABS 4S/2M (INCL ITEMS 17-18,32) (SEE PAGE 1-33) | 1 |



NOTICE:

If the ABS indicator lamp comes on and stays on when you apply the brakes to a moving vehicle, the trailer ABS must be serviced as soon as possible upon completion of your trip to ensure full anti-lock braking capability.

TP-98172 **MERITOR WABCO** Rev. 7/01

5

abs-135

Figure 1-17 Brake Kit, Rockwell ABS

BRAKE KIT ROCKWELL ABS

| ITEM | PART NO. | DESCRIPTION | QTY. |
|-------------|-----------------|---------------------------------------|-------------|
| | 114584 | BRAKE KIT WABCO ABS 4S/2M | |
| | 114586 | BRAKE KIT WABCO ABS 4S/2M TRI/SPR | |
| 1 | 114588 | ECU/VALVE ASSEMBLY 4S/2M PREMIUM | 1 |
| 2 | 101848 | SENSOR EXTENSION CABLE (6') (114584) | 4 |
| | 103861 | SENSOR EXTENSION CABLE (10') (114586) | 4 |
| 3 | 114590 | POWER/DIAGNOSTIC CABLE | 1 |
| 4 | 101851 | DIAGNOSTIC SWITCH | 1 |
| 5 | 101855 | WARNING LAMP LABEL | 1 |

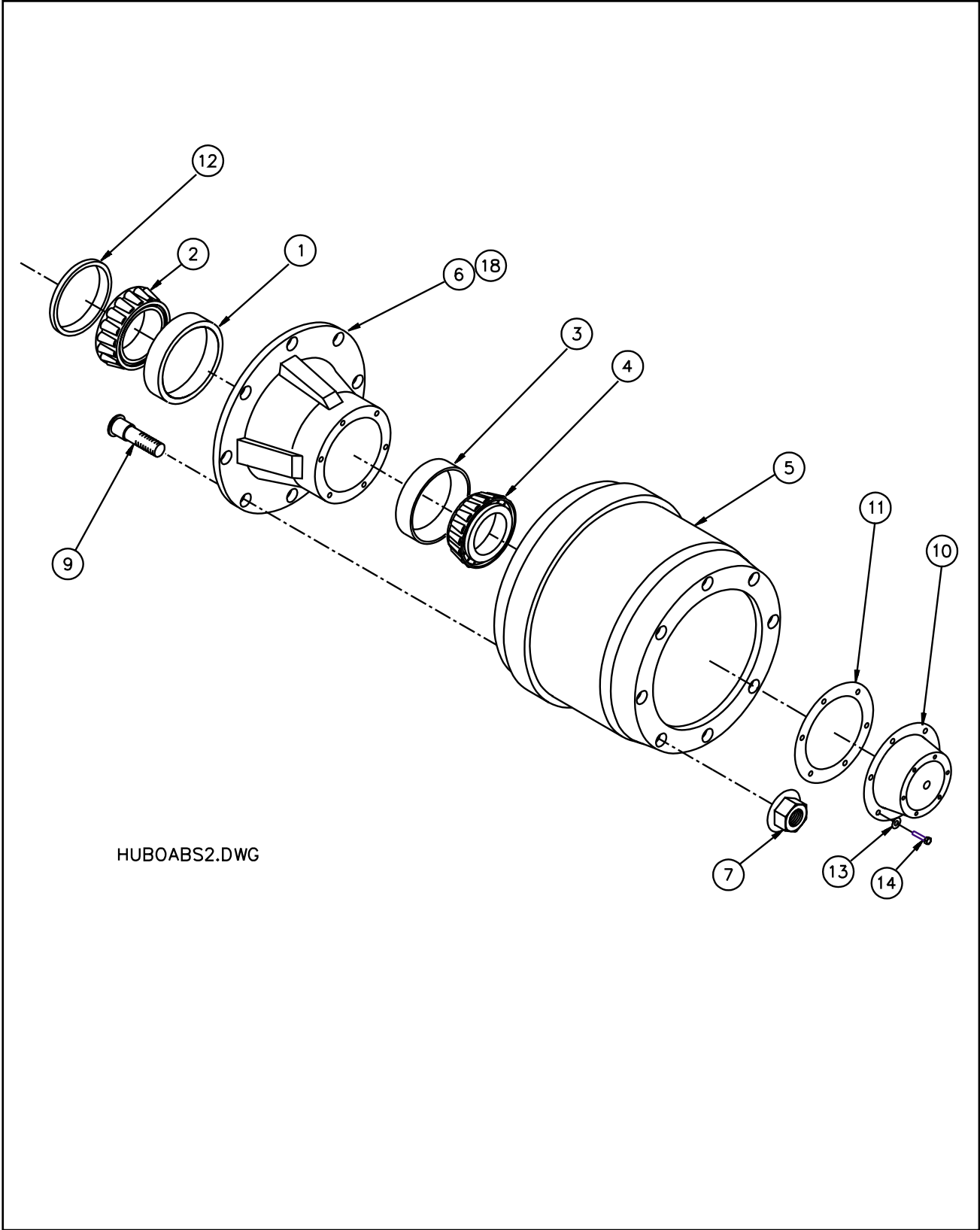


Figure 1-18 Outboard Pilot Mount Hub and Drum

OUTBOARD PILOT MOUNT HUB AND DRUM

| ITEM | PART NO. | DESCRIPTION | QTY. |
|------|---------------------|--|--------|
| | 108541 | HUB/DRUM ASSY 8 BOLT 12-1/4" PILOT, ABS | |
| | 103783 | HUB/DRUM 10 BOLT 16-1/2 PILOT ABS LONG STUD | |
| 1 | HM218210 | INNER BEARING CUP | 1 |
| 2 | HM218248 | INNER BEARING CONE | 1 |
| 3 | HM212011 | OUTER BEARING CUP | 1 |
| 4 | HM212049 | OUTER BEARING CONE | 1 |
| 5 | 110976(66884) | OUTBOARD MOUNTED BRAKE DRUM (10 BOLT) | 1 |
| | 63680 | OUTBOARD MOUNTED BRAKE DRUM (8 BOLT) | 1 |
| 6 | 110975(2023----T) | HUB IRON (10 BOLT) | 1 |
| | 112493(2027----T80) | HUB IRON (8 BOLT) 80 TH TONER RING | 1 |
| 7 | 179933 | FLANGE NUT | **8,10 |
| 9 | 113536 | STUD | **8,10 |
| 10 | 021-038-01(4009) | CAP HUB | 1 |
| 11 | 071-124-00(3067) | GASKET OIL CAP | 1 |
| 12 | 3-659-010012 | SEAL | 1 |
| 13 | 1-861-010034-10 | WASHER SPLIT LOCK 5/16 | 6 |
| 14 | 1-654-010049-03 | SCREW HEX HEAD CAP 5/16-18 X 3/4 GR5 | 6 |
| 15 | 3-870-010097 | WHEEL 17.5X6.75 PILOT MT (NOT SHOWN) | 1 |
| | 100402 | WHEEL 17.5X6.75 ALUM PILOT MT (NOT SHOWN) | 1 |
| | 112047 | WHEEL 17.5X6.75 ALUM PILOT MT (NOT SHOWN) | 1 |
| 16 | TR573 | VALVE STEM - STEEL WHEEL (NOT SHOWN) | 1 |
| | 100401 | VALVE STEM TR543C - ALUMINUM WHL (NOT SHOWN) | 1 |
| 17 | 1-843-010014 | VALVE EXTENSION, STEM 3" (NOT SHOWN) | 1 |
| 18 | * | ABS TONE RING | 1 |
| 19 | 114619 | WHEEL GUARD, 8 HOLE (NOT SHOWN) | 1 |

* THIS PART SHOULD BE REPLACED IN CONJUNCTION WITH THE BRAKE DRUM IT SHOULD NEVER BE SOLD SEPARATELY.

** THE FIRST QUANTITY IS FOR THE 8 BOLT WHEEL, AND THE SECOND QUANTITY IS FOR THE 10 BOLT WHEEL.

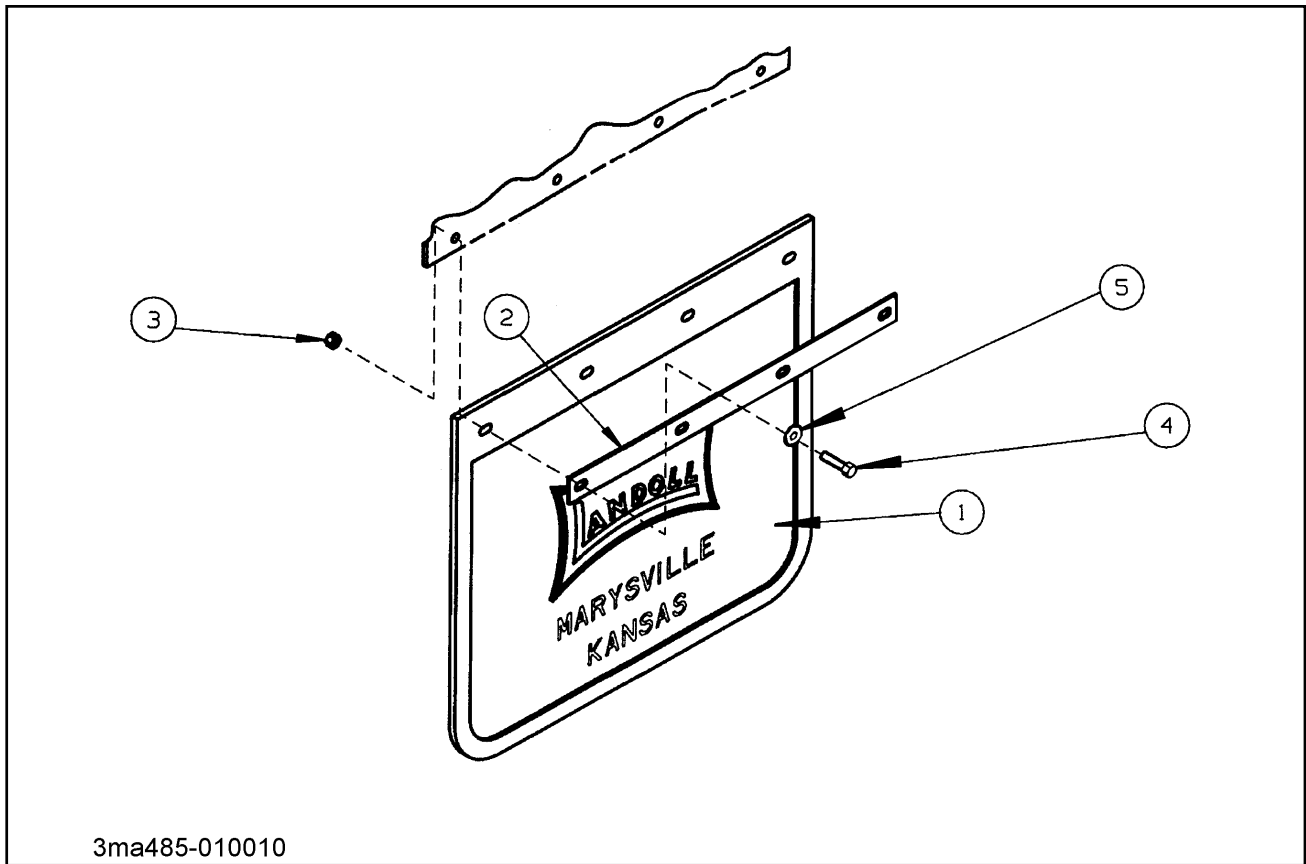


Figure 1-19 Mud Flap Assembly

MUD FLAP ASSEMBLY

| ITEM | PART NO. | DESCRIPTION | QTY. |
|------|-----------------|--|------|
| | 3-485-010010 | MUD FLAP ASSEMBLY | |
| 1 | 3-485-010001 | FLAP, MUD 21" | |
| 2 | 3-762-010017 | CLAMP MUD FLAP | |
| 3 | 1-510-010001 | NUT, HEX FLANGE 3/8 | |
| 4 | 1-654-010051-07 | SCREW, HEX HEAD CAP 3/8-16 X 1-1/2 GR5 | |
| 5 | 1-861-010032-11 | WASHER, FLAT 3/8W | |

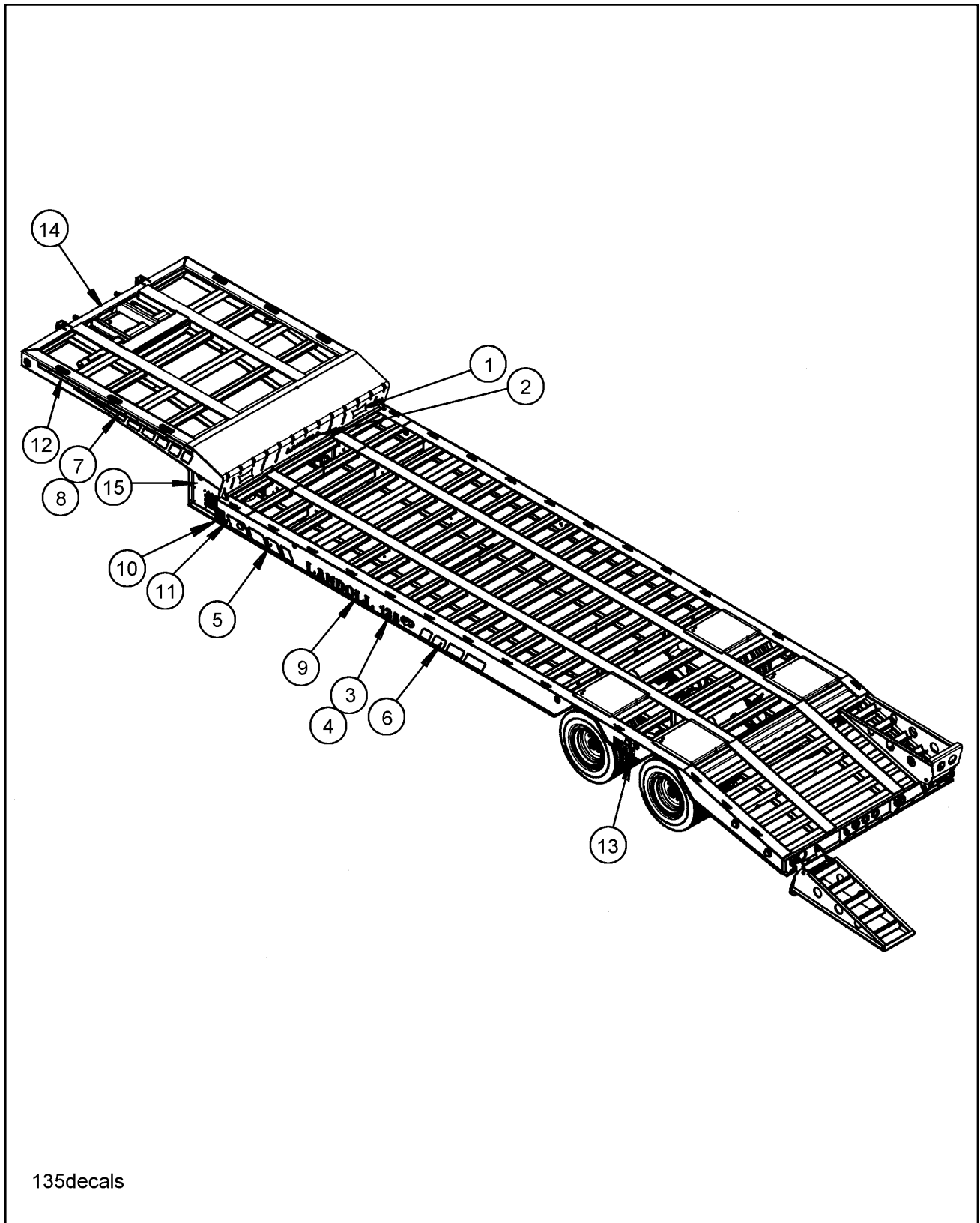


Figure 1-20 Decal Placement



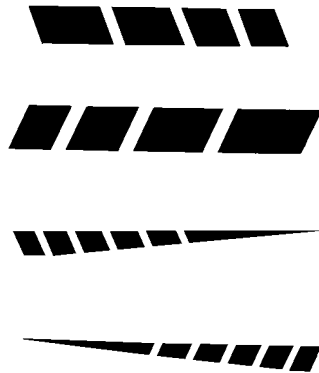
1

LANDOLL®

2 9

135
150

3



5

6

7

8

4

CAUTION
MAXIMUM
CONCENTRATED
LOAD IN A 10 FT.
AREA 50,000 LBS.
3-573-010349

11

CAUTION
5000 LB MAXIMUM GOTCHA PULL
3-573-010350

10

CAUTION
MAXIMUM
CONCENTRATED
LOAD IN A 10 FT.
AREA 70,000 LBS.
3-573-010085

12



TORQUE SPECIFICATIONS FOR PILOT MOUNTED DISC WHEELS

⚠ DANGER

Read and understand the instructions, safety and caution notes, and manual before handling or installing the wheels. Failure to do so may result in injury or death, and may result in a product recall. Do not use the wheels on any vehicle not specifically designed for their use. Do not use the wheels on any vehicle not specifically designed for their use. Do not use the wheels on any vehicle not specifically designed for their use.

Use a torque wrench to adjust the torque. Refer to the instructions for product details. Do not use the wheels on any vehicle not specifically designed for their use. Do not use the wheels on any vehicle not specifically designed for their use. Do not use the wheels on any vehicle not specifically designed for their use.

Always use proper tie-down technique. Do not use the wheels on any vehicle not specifically designed for their use. Do not use the wheels on any vehicle not specifically designed for their use. Do not use the wheels on any vehicle not specifically designed for their use.

8 AND 10 STUD HUBS
Applies to M22 x 1.5 stud-type pilot flange nut.
All threads are right hand metric.
First Tighten Flange Nut to 98 N.m. Using torque wrench.
Check Disc Wheel for proper operation. Do not use until properly adjusted.
First Tighten Flange Nut to recommended torque using torque wrench.

RECOMMENDED TORQUE 450-565 FT. LBS. 3-573-110219

13

IMPORTANT
CONNECT FEMALE HYDRAULIC COUPLER FROM TRACTOR WET KIT OR ENGINE PACKAGE TO MALE HYDRAULIC COUPLER AT FRONT OF TRAILER FIRST TO RELIEVE PRESSURE IN TRAILER LINES.
105922

14

LANDOLL

LANDING GEAR
TRAILER OPERATION
WINCH
RAMP
AIR RIDE SUSPENSION
DOCK LIFT/RAMP
GROUND LOAD AXLE/TAIL TRANS-DOCK

WARNING
DO NOT LOSE TAIL WITH LOAD SECURED AHEAD OF HINGE

WARNING
TRAVELING AXLES MUST BE IN THE REAR MOST POSITION FOR TRANSPORT USE
AIR RIDE SUSPENSION MUST BE IN TRANSPORT POSITION ONLY FOR TRAVELING AXLE AND TRANSPORT USE

NOTE: DO NOT OPERATE BEFORE READING OPERATOR'S MANUAL

15

Figure 1-21 Decals

DECAL INSTALLATION

| ITEM | PART NO. | DESCRIPTION | QTY. |
|------|--------------|---|------|
| | 116746 | DECAL INSTALLATION 135 BK/LT 50K | |
| | 116747 | DECAL INSTALLATION 135 WH/DK 50K | |
| | 117494 | DECAL INSTALLATION 150 BK/LT 70K | |
| | 117495 | DECAL INSTALLATION 150 WH/DK 70K | |
| | 124469 | DECAL INSTALLATION 135 WH/DK 50K | |
| 1 | 1-573-010476 | DECAL, BOW-TIE (BLACK) | 2 |
| | 1-573-010480 | DECAL, BOW-TIE (WHITE) | 2 |
| 2 | 1-573-010477 | DECAL, LANDOLL 2-7/16" (BLACK) | 1 |
| | 1-573-010481 | DECAL, LANDOLL 2-7/16" (WHITE) | 1 |
| 3 | 116730 | DECAL, 135 5" (BLACK) | 3 |
| | 116729 | DECAL, 135 5" (WHITE) | 3 |
| 4 | 117795 | DECAL, 150 5" (BLACK) | 3 |
| | 117794 | DECAL, 150 5" (WHITE) | 3 |
| 5 | 3-573-010040 | DECAL, FRONT STRIPE (LEFT BLACK) | 2 |
| | 3-573-010042 | DECAL, FRONT STRIPE (LEFT WHITE) | 2 |
| 6 | 3-573-010041 | DECAL, FRONT STRIPE (RIGHT BLACK) | 2 |
| | 3-573-010043 | DECAL, FRONT STRIPE (RIGHT WHITE) | 2 |
| 7 | 3-573-010044 | DECAL, TAPERED STRIPE (LEFT BLACK)(NOT SHOWN) | 1 |
| | 3-573-010046 | DECAL, TAPERED STRIPE (LEFT WHITE)(NOT SHOWN) | 1 |
| 8 | 3-573-010045 | DECAL, TAPERED STRIPE (RIGHT BLACK) | 1 |
| | 3-573-010047 | DECAL, TAPERED STRIPE (RIGHT WHITE) | 1 |
| 9 | 3-573-010048 | DECAL, LANDOLL 5" BLACK | 2 |
| | 3-573-010049 | DECAL, LANDOLL 5" WHITE | 2 |
| 10 | 3-573-010349 | DECAL, CAUTION 50,000#/10FT (TANDEM) | 2 |
| | 3-573-010085 | DECAL, CAUTION 70,000#/10FT (TRIPLE) | 2 |
| 11 | 3-573-010350 | DECAL, GOTCHA PULL | 2 |
| 12 | 3-573-010377 | DECAL, 2" REFLEXITE TAPE RD/WHT | AR |
| 13 | 3-573-010210 | DECAL, TORQUE SPEC 8-10 STUD HUB | REF |
| 14 | 105822 | DECAL, HYD COUPLER | REF |
| 15 | 113274 | PLACARD, CONTROL PANEL | REF |

* If trailer is repainted or if decals become illegible, order new ones from the factory and replace.

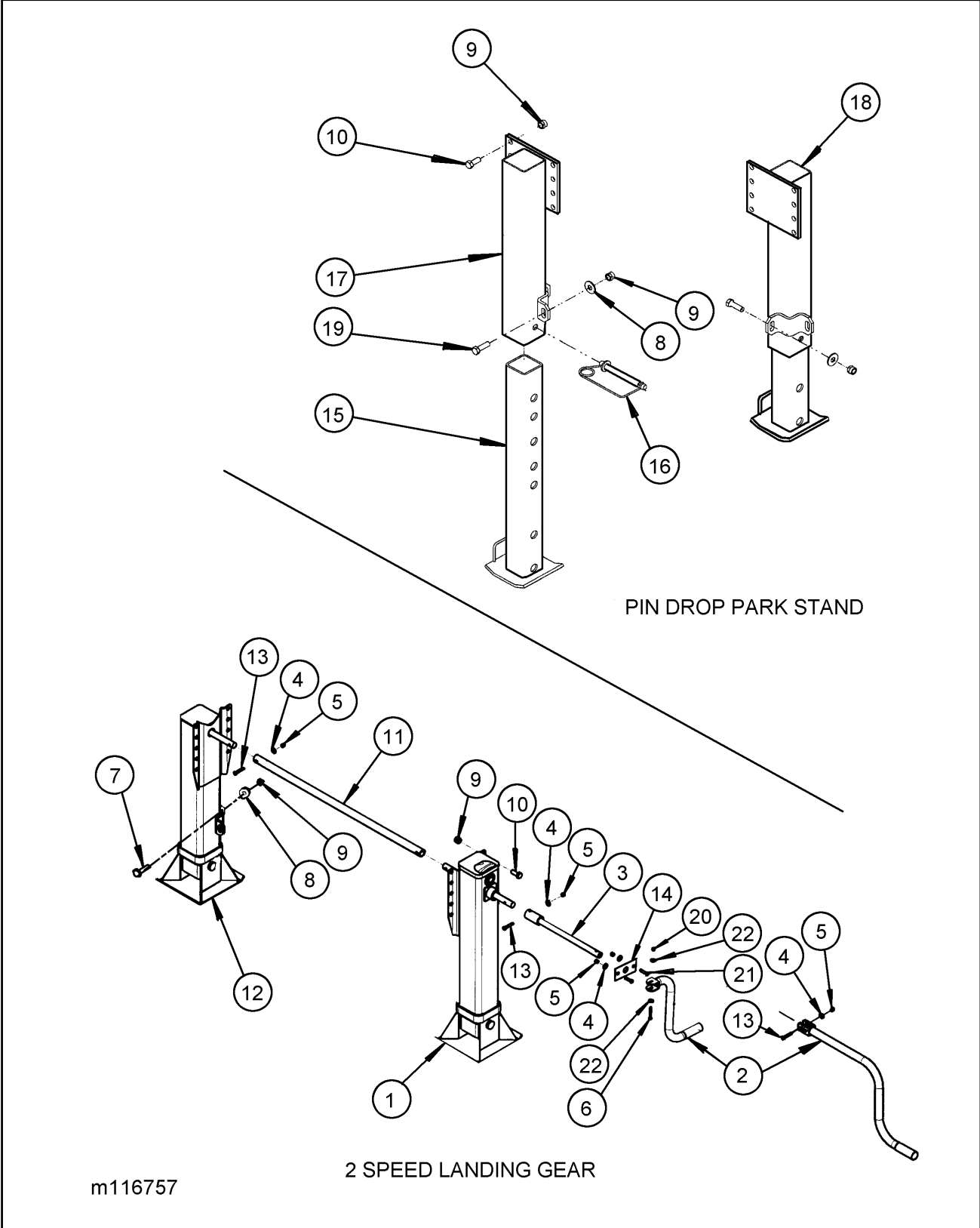


Figure 1-22 Landing Gear Installation

LANDING GEAR INSTALLATION

| ITEM | PART NO. | DESCRIPTION | QTY. |
|------|-----------------|--|------|
| | 104243 | PARK STAND INSTALLATION, PIN DROP (INCL. ITEMS 9-10, 15-19) | |
| | 116757 | LANDING GEAR INSTALLATION, 2 SPEED (INCL. ITEMS 1-14, 20-22) | |
| | 118169 | LANDING GEAR INSTALLATION, 2 SPEED (INCL. ITEMS 1-2, 4-5, 7-13) | |
| 1 | 109709 | LANDING GEAR 2 SPEED JOST (SEE PAGE 1-43) | 1 |
| 2 | 117001 | HANDLE, CRANK MODIFICATION (USED ON 116757) | 1 |
| | 109710 | CRANK, LANDING GEAR (USED ON 118169) | 1 |
| 3 | 117004 | EXTENSION WELDMENT, TWO SPEED CRANK | 1 |
| 4 | 1-861-010032-11 | WASHER, FLAT 3/8 | 6 |
| 5 | 1-512-010005-05 | NUT, HEX LOCK 3/8-16 GRB | 6 |
| 6 | 108628 | SCREW, HEX HEAD CAP 5/16-18 X 2-1/4 GR5 | 1 |
| 7 | 1-654-010059-04 | SCREW, HEX HEAD CAP 5/8-11 X 1-3/4 GR5 | 4 |
| 8 | 1-861-010032-19 | WASHER, FLAT 5/8 | 4 |
| 9 | 1-512-010005-13 | NUT, HEX LOCK 5/8-11 GRB | 20 |
| 10 | 1-654-010059-03 | SCREW, HEX HEAD CAP 5/8-11 X 1-1/2 GR5 | 16 |
| 11 | 109160 | CROSS-SHAFT LANDING GEAR (40") (USED ON 116757) | 1 |
| | 118246 | CROSS-SHAFT LAND GEAR (45-1/2") (USED ON 118169) | 1 |
| 12 | 104238 | ANCHOR, LOWER, BOLT-ON | 2 |
| 13 | 1-654-010051-09 | SCREW, HEX HEAD CAP 3/8-16 X 2 GR5 | 3 |
| 14 | 117003 | GUIDE, CRANK EXTENSION | 1 |
| 15 | 3-725-010058 | STAND WELDMENT PARK INSIDE | 2 |
| 16 | 346SL | LOCK HITCH PIN | 2 |
| 17 | 112678 | PARK STAND WELDMENT LH (FRONT PIN) | 1 |
| 18 | 112679 | PARK STAND WLDMT RH (FRONT PIN) | 1 |
| 19 | 1-654-010059-05 | SCREW, HEX HEAD CAP 5/8-11 X 2 GR5 | 4 |
| 20 | 1-512-010005-03 | NUT, HEX LOCK 5/16-18 GRB | 1 |
| 21 | 1-654-010051-07 | SCREW, HEX HEAD CAP 3/8-16 X 1-1/2 GR5 | 2 |
| 22 | 1-861-010032-09 | WASHER, FLAT 5/16W | 2 |

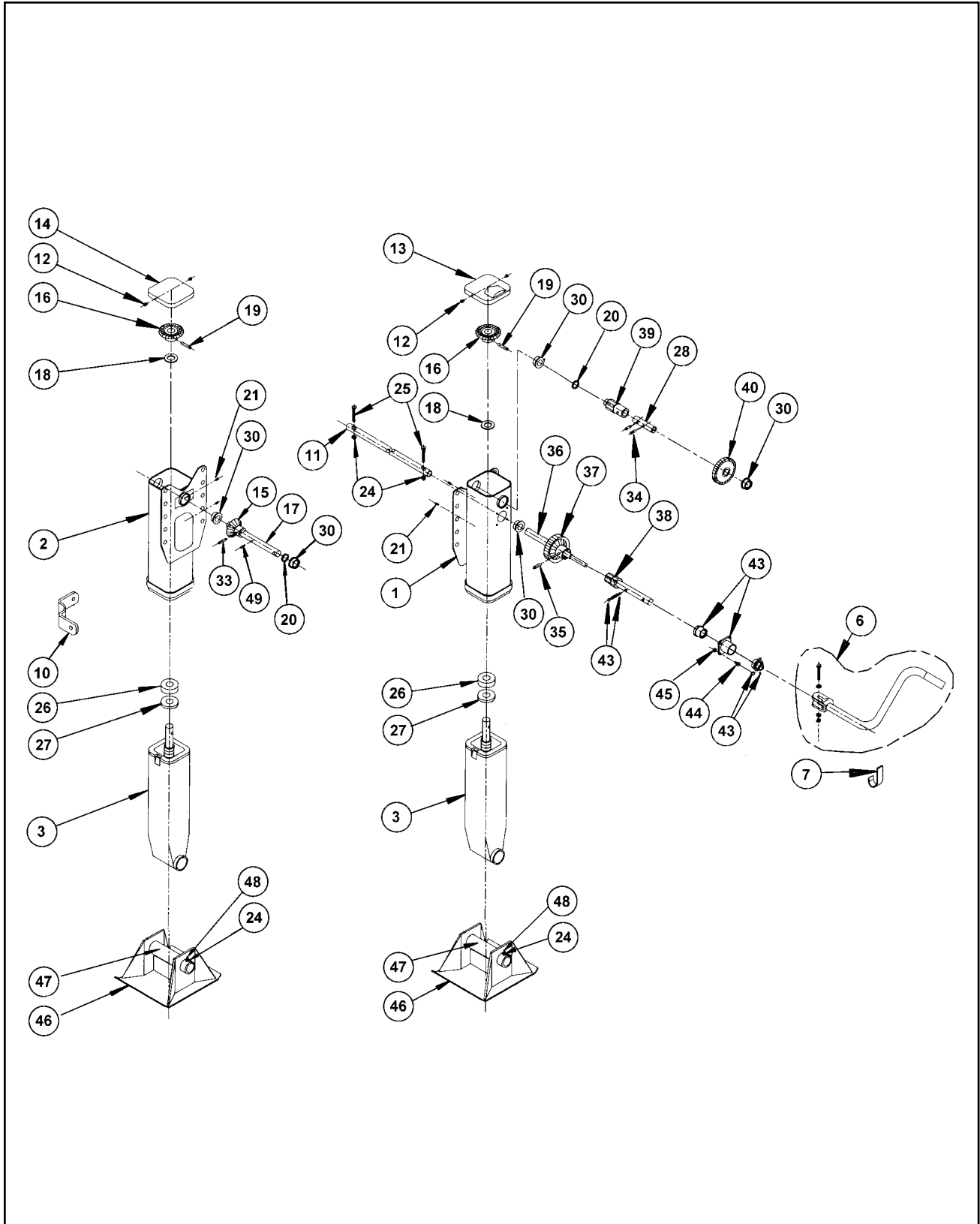


Figure 1-23 Crank Landing Gear

CRANK LANDING GEAR

| ITEM | PART NO. | DESCRIPTION | QTY. |
|------|----------|--------------------------------|------|
| | 109709 | LANDING GEAR INSTALLATION-660 | |
| 1 | D10201.2 | OUTER HOUSING - 2 SPEED | 1 |
| 2 | D10116.2 | OUTER HOUSING - 1 SPEED | 1 |
| 3 | C10140.2 | INNER LEG ASSEMBLY - STANDARD | 2 |
| 6 | 109161 | CRANK 930 MODIFICATION | 1 |
| 7 | 109711 | CRANK HANGER | 1 |
| 10 | 109712 | BRACE LUG - W | 2 |
| 11 | B10066 | INTERMEDIATE CROSS SHAFT | 1 |
| 12 | A10059.1 | COVER SCREW | 4 |
| 13 | C10217 | COVER - 2 SPEED | 1 |
| 14 | C10259 | COVER - 1 SPEED | 1 |
| 15 | C10177 | PINION GEAR | 1 |
| 16 | C10155 | BEVEL GEAR | 2 |
| 17 | B10130 | PINION SHAFT - 1 SPEED | 1 |
| 18 | A10102 | THRUST WASHER | 2 |
| 19 | A10052.3 | GROOVED PIN | 2 |
| 20 | A10218 | SPACER WASHER | 2 |
| 21 | A10040 | GREASE FITTING | 4 |
| 23 | C10209 | STRUT BRACE (NOT SHOWN) | 4 |
| 24 | A10038.7 | SELF LOCKING NUT | 2 |
| 25 | A10037.1 | CROSS SHAFT BOLT - 3/8 X 2 GR5 | 2 |
| 26 | A10033 | THRUST BEARING | 2 |
| 27 | A10101 | COLLAR | 2 |
| 28 | A10212 | OUTPUT SHAFT | 1 |
| 30 | A10255 | BUSHING | 5 |
| 33 | A10054.3 | ROLL PIN 3/8 X 1-1/2 | 1 |
| 34 | A10260.1 | SPIRAL PIN | 2 |
| 35 | A10054.7 | ROLL PIN - 3/8 X 1-3/4 | 1 |
| 36 | B10236 | OUTPUT CLUSTER SHAFT | 1 |
| 37 | C10234 | OUTPUT CLUSTER GEAR | 1 |
| 38 | C10233 | INPUT GEAR SHAFT | 1 |
| 39 | C10078 | OUTPUT SPUR GEAR | 1 |
| 40 | C10085 | INPUT SPUR GEAR | 1 |
| 43 | B10229.S | SHIFT HOUSING SERVICE KIT | 1 |
| 44 | A10230 | SHIFT HOUSING BOLT | 4 |
| 45 | A10038.6 | SELF LOCKING NUT | 4 |
| 46 | C10256 | SHOE - 10 X 10 X 4-1/2 | 2 |
| 47 | B10036 | SHOE AXLE | 2 |
| 48 | A10037.3 | HEX HEAD BOLT | 2 |
| 49 | A10054.6 | ROLL PIN - 1/4 X 1-1/4 | 1 |

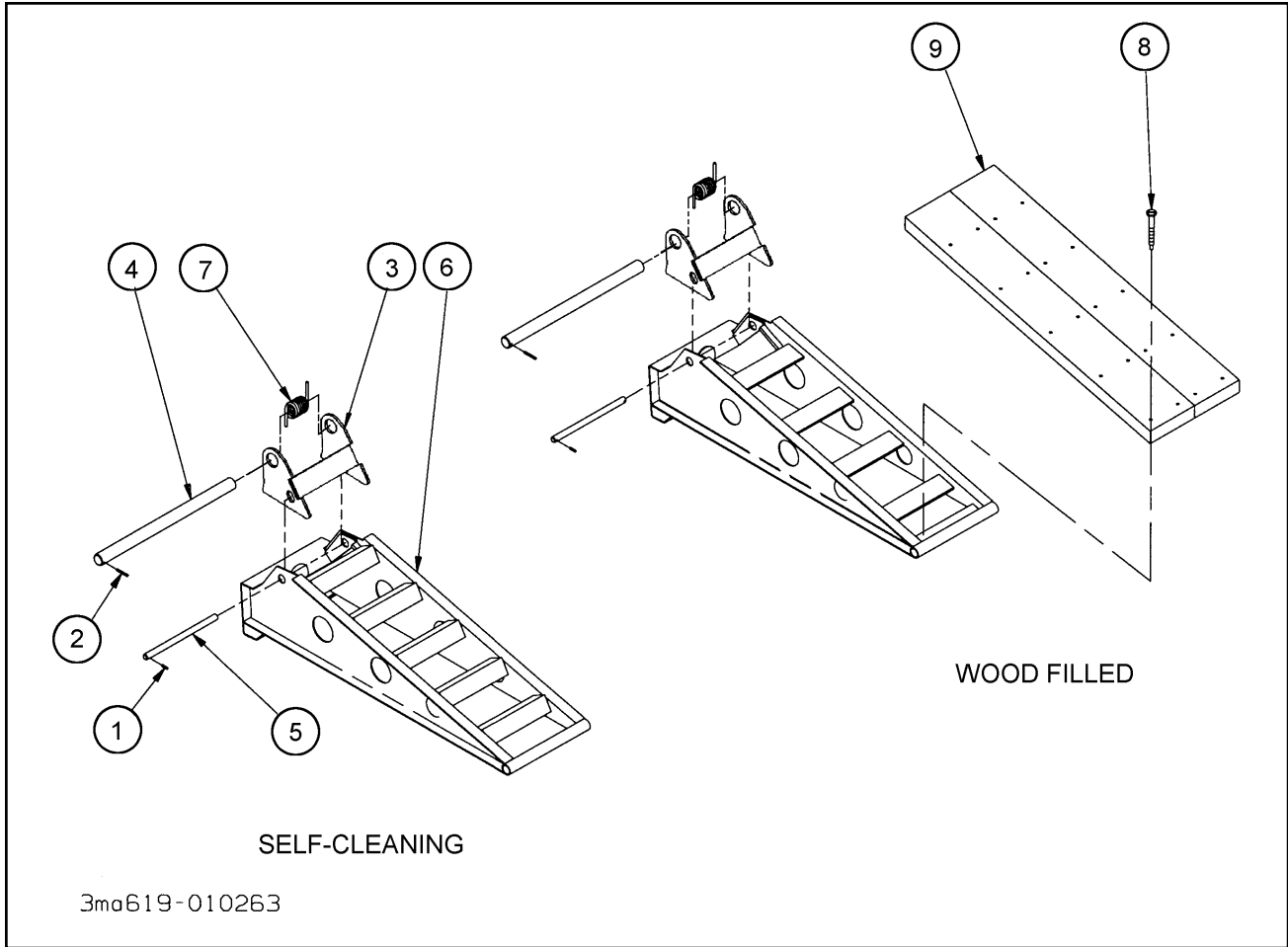


Figure 1-24 Ramp Assembly, Outer

RAMP ASSEMBLY, OUTER

| ITEM | PART NO. | DESCRIPTION | QTY. |
|------|-----------------|-----------------------------|------|
| | 116753 | RAMP ASSEMBLY, SELF CLEAN | |
| | 116754 | RAMP ASSEMBLY, WOOD FILLED | |
| 1 | 1-647-010004255 | PIN, SPRING SLOTTED 2 X 3/8 | 4 |
| 2 | 1-647-010004259 | PIN, SPRING SLOTTED 3 X 3/8 | 4 |
| 3 | 116616 | BRACKET WELDMENT RAMP PIVOT | 2 |
| 4 | 3-557-010541 | PIN, RAMP 2" | 2 |
| 5 | 3-557-010542 | PIN, RAMP 1" | 2 |
| 6 | 3-619-010258 | RAMP WELDMENT | 2 |
| | 3-619-010262 | RAMP WELDMENT, WOOD FILLED | 2 |
| 7 | 3-720-010084 | SPRING, TORSION | 2 |
| 8 | 3-654-010129-1 | SCREW, TORQUE 5/16 X 3 | 20 |
| 9 | RWD 34999 | APITONG, 1-1/2 X 7-3/4 | AR |

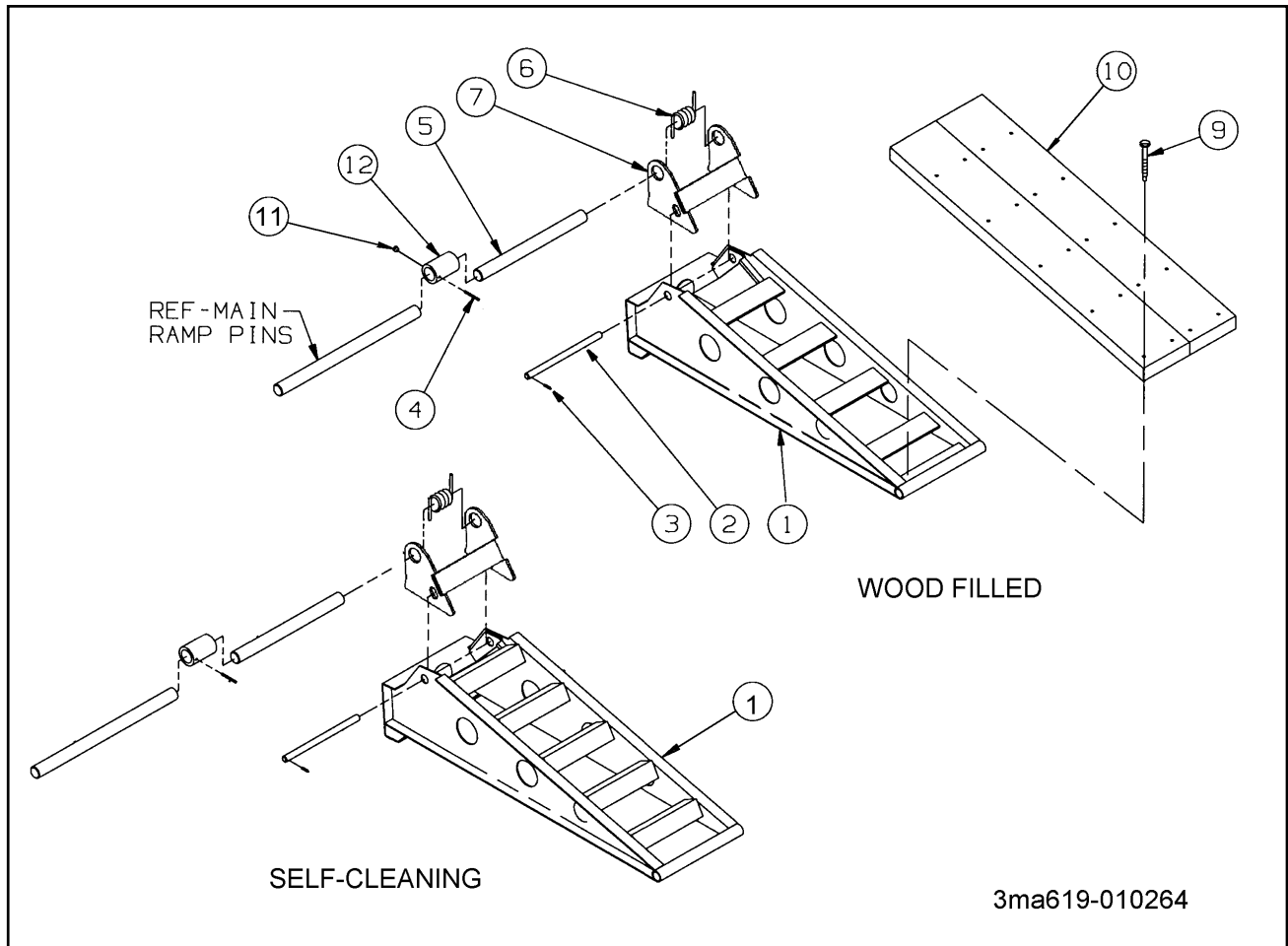


Figure 1-25 Ramp Assembly, Center (Option)

RAMP ASSEMBLY, CENTER (OPTION)

| ITEM | PART NO. | DESCRIPTION | |
|------|-----------------|---|----|
| | 116755 | RAMP ASSEMBLY, SELF CLEAN | |
| | 116756 | RAMP ASSEMBLY, WOOD FILLED | |
| 1 | 3-619-010258 | RAMP WELDMENT | 1 |
| | 3-619-010262 | RAMP WELDMENT, WOOD FILLED | 1 |
| 2 | 3-557-010542 | PIN, RAMP 1" | 1 |
| 3 | 1-647-010004255 | PIN, SPRING SLOTTED 2 X 3/8 | 2 |
| 4 | 1-654-010049-15 | SCREW, HEX HEAD CAP 5/16-18 X 3-1/2 GR5 | 2 |
| 5 | 3-557-010547 | PIN, THIRD RAMP | 1 |
| 6 | 3-720-010084 | SPRING, TORSION | 1 |
| 7 | 116616 | BRACKET WELDMENT RAMP PIVOT | 1 |
| 9 | 3-654-010129-1 | SCREW, TORQUE 5/16 X 3 | 40 |
| 10 | RWD 34999 | APITONG, 1-1/2 X 7-3/4 | AR |
| 11 | 1-512-010005-03 | NUT, HEX LOCK 5/16-18 GRB | 2 |
| 12 | 3-220-010030 | COUPLER, THIRD RAMP | 2 |

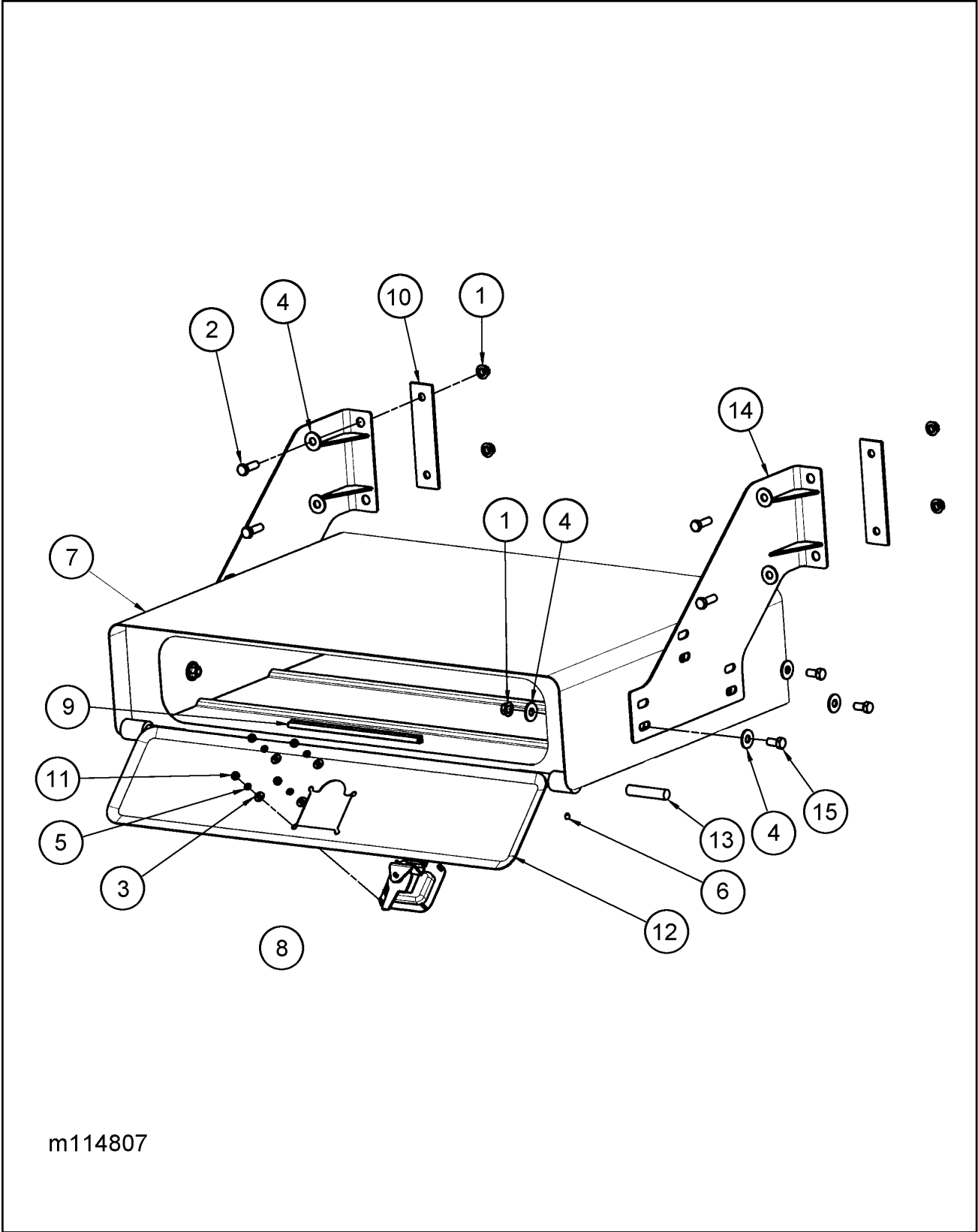


Figure 1-26 Toolbox Installation

TOOLBOX INSTALLATION

| ITEM | PART NO. | DESCRIPTION | QTY. |
|------|-----------------|--|------|
| | 114807 | TOOLBOX INSTALLATION STEEL DOOR | 1 |
| | 116628 | TOOLBOX INSTALLATION ALUMINUM DOOR | 1 |
| 1 | 1-510-010003-09 | NUT, FLANGE HEAD SERRATED 1/2-13 | 10 |
| 2 | 1-654-010055-03 | SCREW, HEX HEAD CAP 1/2-13 X 1-1/2 GR5 | 4 |
| 3 | 1-861-010032-07 | WASHER, FLAT 1/4W | 4 |
| 4 | 1-861-010032-15 | WASHER, FLAT 1/2W | 16 |
| 5 | 1-861-010034-09 | WASHER, SPLIT LOCK 1/4 | 4 |
| 6 | 107-0975 | SCREW, SET LOCK 5/16-18 X 3/8 | 2 |
| 7 | 114808 | TOOLBOX WELDMENT | 1 |
| 8 | 114814 | LATCH, FOLDING T LOCKABLE | 1 |
| 9 | 114815 | SEAL SPONGE RUBBER TRIM | 7 |
| 10 | 115843 | BAR, BACKUP TOOLBOX MOUNTING | 2 |
| 11 | 115877 | NUT, HEAVY HEX 1/4-20 GR5 | 4 |
| 12 | 116623 | DOOR WELDMENT STEEL TOOLBOX | 1 |
| | 116624 | DOOR WELDMENT ALUMINUM TOOLBOX | 1 |
| 13 | RPRB59004X3H | BAR ROUND, 3/4DIA X 3-1/2 NYLATRON | 2 |
| 14 | 117860 | BRACKET WELDMENT TOOLBOX MOUNTING | 2 |
| 15 | 1-654-010055-01 | SCREW, HEX HEAD CAP 1/2-13 X 1 GR5 | 6 |

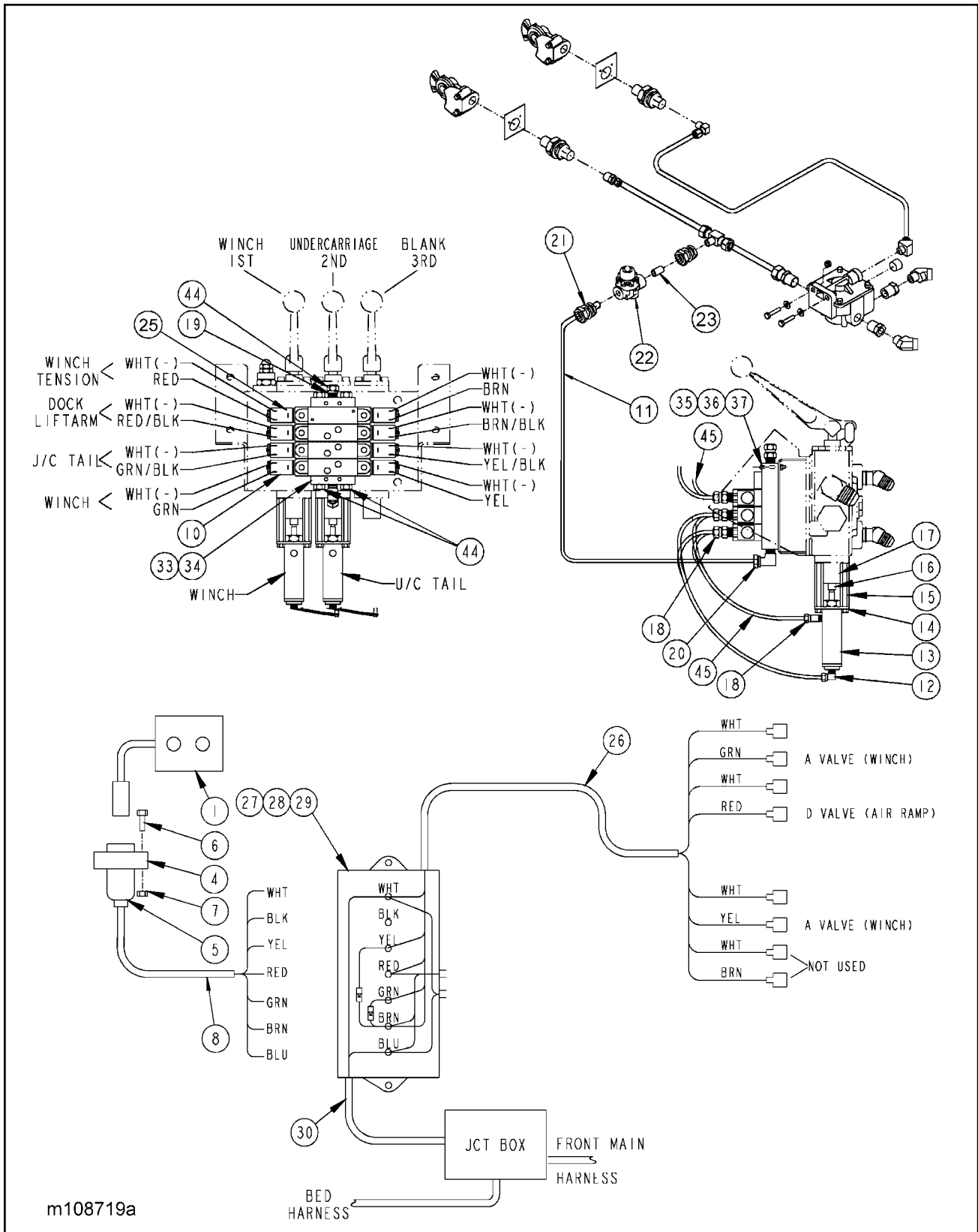
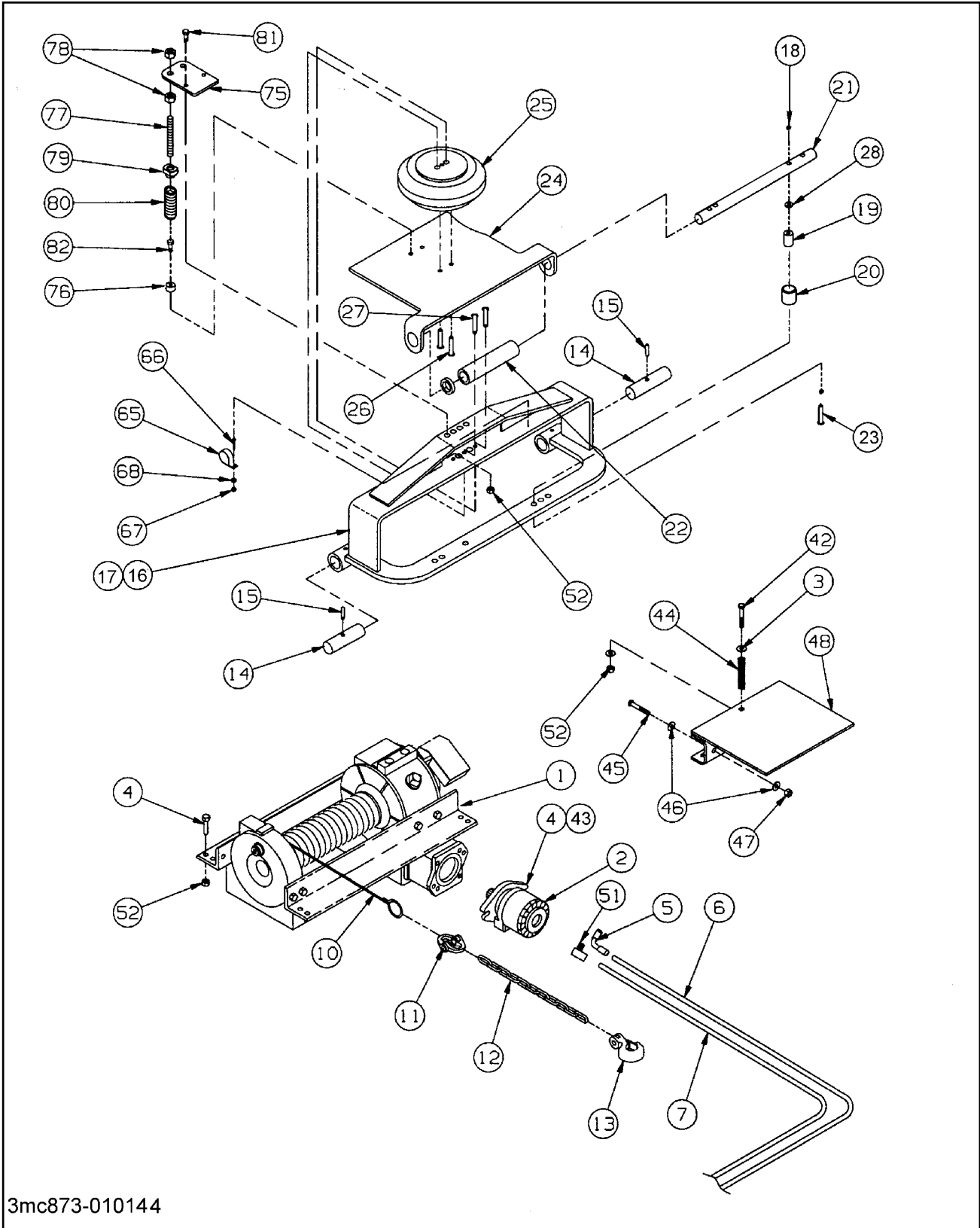


Figure 1-27 Remote Control Items

WIRED REMOTE CONTROL ITEMS

| ITEM | PART NO. | DESCRIPTION | QTY. |
|------|-----------------|--------------------------------------|------|
| | 3-208-010053-01 | REMOTE CONTROL - WN | 1 |
| 1 | 3-765-010001 | CONTROL REMOTE WINCH | 1 |
| 4 | 3-272-010125 | RECEPTACLE 7-PIN | 1 |
| 5 | 59W-2-3 | RUBBER BOOT | 1 |
| 6 | 1-654-010049-06 | SCREW HEX HEAD CAP 5/16-18X1-1/4 GR5 | 2 |
| 7 | 1-512-010005-03 | NUT HEX LOCK 5/16-18 GRB | 2 |
| 8 | 3-368-010189 | HARNESS, PANEL | 1 |
| 10 | 3-843-010015 | VALVE PNEUM. 4-WAY 3-POS | 1 |
| 11 | 1-833-010001 | NYLON TUBING 1/4 OD | AR |
| 12 | 1-297-010008-01 | FITTING AIR 90 | 1 |
| 13 | 3-238-010001 | CYLINDER AIR | 1 |
| 14 | 3-482-010288 | MT AIR CYL VALVE | 1 |
| 15 | 3-711-010055 | SPACER | 4 |
| 16 | 3-007-010039 | ADAPTER AIR CYLINDER | 1 |
| 17 | 3-161-010034 | CAP MOD. VALVE SPOOL | 1 |
| 18 | 68CA-2-2 | CONNECTOR AIR | 3 |
| 19 | 3-136-010001-02 | BREATHER PNEUMATIC EXCH 1/4 NPT | 2 |
| 20 | 1-297-010008-07 | FITTING AIR 90 | 1 |
| 21 | 1-297-010007-05 | FITTING AIR | 2 |
| 22 | 905-54-107 | VALVE FILTER PRESSURE | REF |
| | 48100200 | FILTER | 1 |
| 23 | 1-297-010019-05 | FITTING, BRS PIPE | 1 |
| 25 | 3-843-010022 | VALVE PNEU. 4-WAY 2-POS | REF |
| 26 | 3-368-010129 | HARNESS ASSY, SINGLE REMOTE | 1 |
| 27 | 1-861-010032-06 | WASHER FLAT 1/4N | 2 |
| 28 | 1-512-010005-01 | NUT HEX LOCK 1/4- 20 GRB | 2 |
| 29 | 750-029 | JUNCTION BOX 7-STUD | 1 |
| 30 | 3-368-010188 | HARNESS PWR JUMPER | 1 |
| 33 | 3-843-010025 | VALVE PNEU MANIFOLD | 1 |
| 34 | 3-843-010024 | VALVE BLK STATION CVR | 1 |
| 35 | 1-654-010024014 | SCREW MACH SLOT #6-32X1-1/2 GR2 | 4 |
| 36 | 1-861-010032-01 | WASHER FLAT #6 | 4 |
| 37 | 1-512-010003-02 | NUT HEX LOCK #6-32 GRB | 4 |
| 44 | 1-297-010033-02 | PLUG BRASS PIPE 1/4 | 3 |
| 45 | NB-2-016 | TUBING NYLON 1/8 OD | 3 |



3mc873-010144

Figure 1-28 12K Upper Deck Winch (Braden)
(1 of 2)

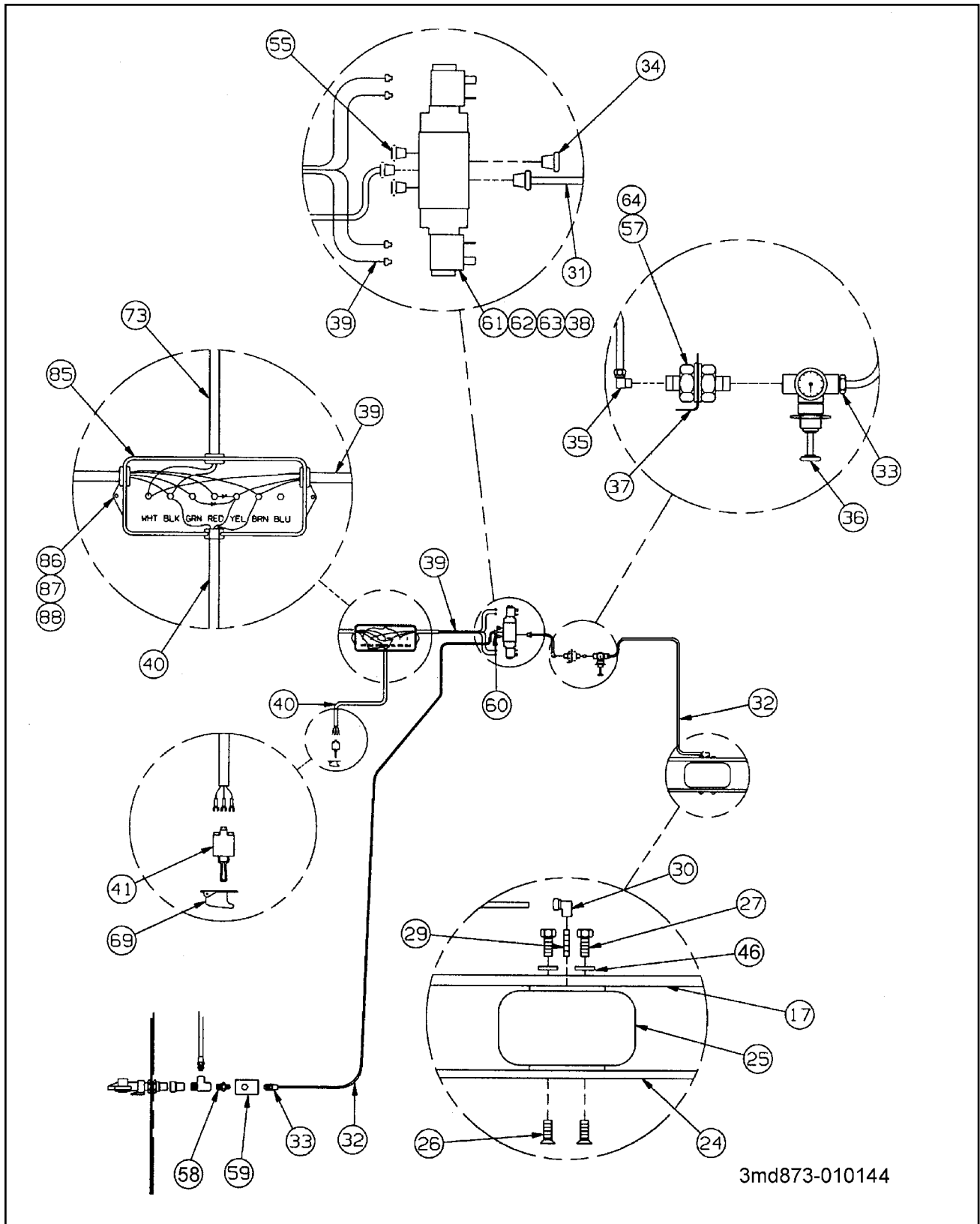


Figure 1-29 12K Upper Deck Winch (Braden)
(2 of 2)

12K UPPER DECK WINCH (BRADEN)

| ITEM | PART NO. | DESCRIPTION | QTY. |
|------|-----------------|--|-------------|
| | 3-873-010144 | WINCH INSTALLATION 600-12K | |
| 1 | 3-873-010122 | WINCH ASSY 12K (SEE PAGE 1-55) | 1 |
| 2 | 3-481-010006 | MOTOR HYD.(SEE PAGE 1-57) | 1 |
| 3 | 1-861-010032-15 | WASHER, FLAT 1/2 | 2 |
| 4 | 1-654-010055-04 | SCREW, HEX HEAD CAP 1/2-13 X 1-3/4 GR5 | 2 |
| 5 | 202702-10-8S | ADAPTER STR. | 1 |
| 6 | 1-397-010301170 | HOSE ASSEMBLY | 1 |
| 7 | 1-397-010302172 | HOSE ASSEMBLY | 1 |
| 10 | 3-155-010017-4 | CABLE (12K)85' W/ LOOP | 1 |
| | 3-155-010018-6 | CABLE (20K)85' W/ LOOP | 1 |
| 11 | 3-174-010038 | LINK | 1 |
| 12 | 3-174-010039036 | CHAIN | 1 |
| 13 | 7HCGHT500 | HOOK | 1 |
| 14 | 3-557-010474 | PIN, PIVOT | **2 |
| 15 | 1-647-010004255 | SPRING PIN, SLOTTED TYPE | **2 |
| 16 | 3-125-010464 | BRACKET WLDMT WINCH ROLLER (NOT SHOWN) | **1,****1 |
| 17 | 3-125-010465 | BRACKET WLDMT WINCH TENS | *1,**1,***1 |
| 18 | 1-512-010005-13 | NUT HEX LOCK 5/8-11 GR8 | **2 |
| 19 | 3-150-010196 | BUSHING, ROD ROLLER-600 | **2 |
| 20 | 3-831-010172 | TUBE, ROLLER SIDE | **2 |
| 21 | 3-642-010150 | ROD, ROLLER TOP | **1 |
| 22 | 3-831-010151 | TUBE, ROLLER TOP | **1 |
| 23 | 1-654-010059-15 | SCREW, HEX HEAD CAP 5/8-11X5 GR5 | **2 |
| 24 | 3-873-010145 | WINCH TENSIONER PLATE | *1 |
| 25 | 3-720-010042 | SPRING, AIR 6-1/2 | *1 |
| 26 | 1-654-010141-04 | SCREW, HEX SOCKET CTSK 3/8-16X1 GR8 | *2 |
| 27 | 1-654-010036-05 | SCREW, HEX HEAD CAP 3/8-16X1 GR5 | *2 |
| 28 | 1-861-010032-18 | WASHER, FLAT 5/8N | 2 |
| 29 | 1-297-010031-02 | FITTING, BRASS PIPE 1/4 X 1-1/2 | *1 |
| 30 | 1-297-010032-03 | FITTING, AIR 90 | *1 |
| 31 | 1-297-010007-04 | CONNECTOR PIPE TO TUBE | ***4 |
| 32 | 1-833-01001 | NYLON TUBING 1/4 OD | ***28FT |
| 33 | 1-297-010007-05 | FITTING, AIR | *2 |
| 34 | 1-560-010002-01 | PLUG, HEX SOCKET | 1 |
| 35 | 1-297-010008-07 | FITTING, AIR 90 | 1 |
| 36 | 3-626-010004 | REGULATOR, AIR PRESSURE | *1 |
| 37 | 3-120-010445 | BRACKET, PRESSURE REGULATOR | *1 |
| 38 | 3-843-010022 | VALVE, PNEUMATIC | ***1 |
| 39 | 3-368-010129 | HARNESS ASSY SINGLE REMOTE | ***1 |
| 40 | 3-368-010187 | HARNESS REMOTE SWITCH | ***1 |
| 41 | 1-765-010065 | SWITCH, TOGGLE | ***1 |
| 42 | 1-654-010055-16 | SCREW, HEX HEAD CAP 1/2-13X5-1/2 GR5 | 1 |
| 43 | 1-861-010034-13 | WASHER, SPLIT LOCK 1/2 | 1 |
| 44 | 3-720-010010 | SPRING COMP LEVEL WIND | 1 |
| 45 | 1-654-010051-06 | SCREW, HEX HEAD CAP 3/8-16X1-1/4 GR5 | 3 |
| 46 | 1-861-010032-10 | WASHER, FLAT 3/8N | 6 |
| 47 | 1-512-010005-05 | NUT, HEX 3/8-16 | 3 |
| 48 | 3-873-010124 | WINCH TENSIONER WLDMT | 1 |
| 49 | 100600 | DECAL, WARNING WINCH (NOT SHOWN) | 1 |
| 51 | 206210-8S | ADAPTER, 90 | ****1 |
| 52 | 1-512-010005-09 | NUT, HEX LOCK 1/2-13 GRB | 15 |

12K UPPER DECK WINCH (BRADEN)

| ITEM | PART NO. | DESCRIPTION | QTY. |
|------|-----------------|-------------------------------------|-----------|
| 55 | 3-136-010001-01 | BREATHER, PNEUMATIC EXHAUST | *2 |
| 57 | 1-297-010022-02 | FITTING, AIR ANCHOR | 1 |
| 58 | 1-297-010019-05 | FITTING, BRASS PIPE | 1 |
| 59 | 905-54-107 | VALVE AND FILTER PRESSURE | *1,2 |
| | 48100200 | FILTER | *1,2 |
| 60 | 1-297-010008-05 | FITTING, AIR 90 | *3 |
| 61 | 1-654-010024014 | SCREW, MACH SLOT 6-32X1-1/2 | *3 |
| 62 | 1-861-010032-01 | WASHER, FLAT #6 | *3 |
| 63 | 1-512-010003-02 | NUT, HEX LOCK 6-32 | *1 |
| 64 | 1-297-010020-02 | FITTING, BRASS PIPE 1/4 | REF |
| 65 | 239-9076-3 | SUPPORT CLAMP | *1 |
| 66 | 1-656-010003053 | SCREW RD HEAD MACH. #10-24X1 GR2 | *1 |
| 67 | 1-512-010004-03 | NUT HEX LOCK #10-24 | *1 |
| 68 | 1-861-010034-07 | WASHER, SPLIT LOCK #10 | *1 |
| 69 | 3-348-010048 | GUARD SWITCH -3 POSITION | 1 |
| 73 | 3-368-010188 | HARNES POWER JUMPER 660 | 1 |
| 75 | 3-565-011688 | PLATE F/W SPRING TENSION - 600 | *1 |
| 76 | 3-014-010255 | ANCHOR F/W SPRING TENSION - 600 | *2 |
| 77 | RTR7999X4ZP | ROD THREADED | *2 |
| 78 | 1-512-010007-12 | NUT HEX 3/4-10 GRB | *4 |
| 79 | 3-522-010017 | NUT F/W SPRING TENSION - 600 | *2 |
| 80 | 3-720-010035 | SPRING | *2 |
| 81 | 1-654-010055-03 | SCREW HEX HEAD CAP 1/2-13X1-1/2 GR5 | *2 |
| 82 | 1-654-010055-01 | SCREW HEX HEAD CAP 1/2-13 X 1 GR5 | **2, ***3 |
| 85 | 750-029 | JUNCTION BOX 7-STUD | 1 |
| 86 | 1-512-010007-05 | NUT HEX 1/4-20 GRB | 2, ***3 |
| 87 | 1-861-010032-06 | WASHER FLAT 1/4N | 2 |
| 88 | 1-861-010034-09 | WASHER SPLIT LOCK 1/4 | 2, ***3 |

NOTES:

- * - FOR AIR TENSION OPTION.
- ** - FOR CABLE ROLLER OPTION.
- *** - FOR AIR SHIFT OPTION.
- **** - FOR SPRING TENSION OPTION.

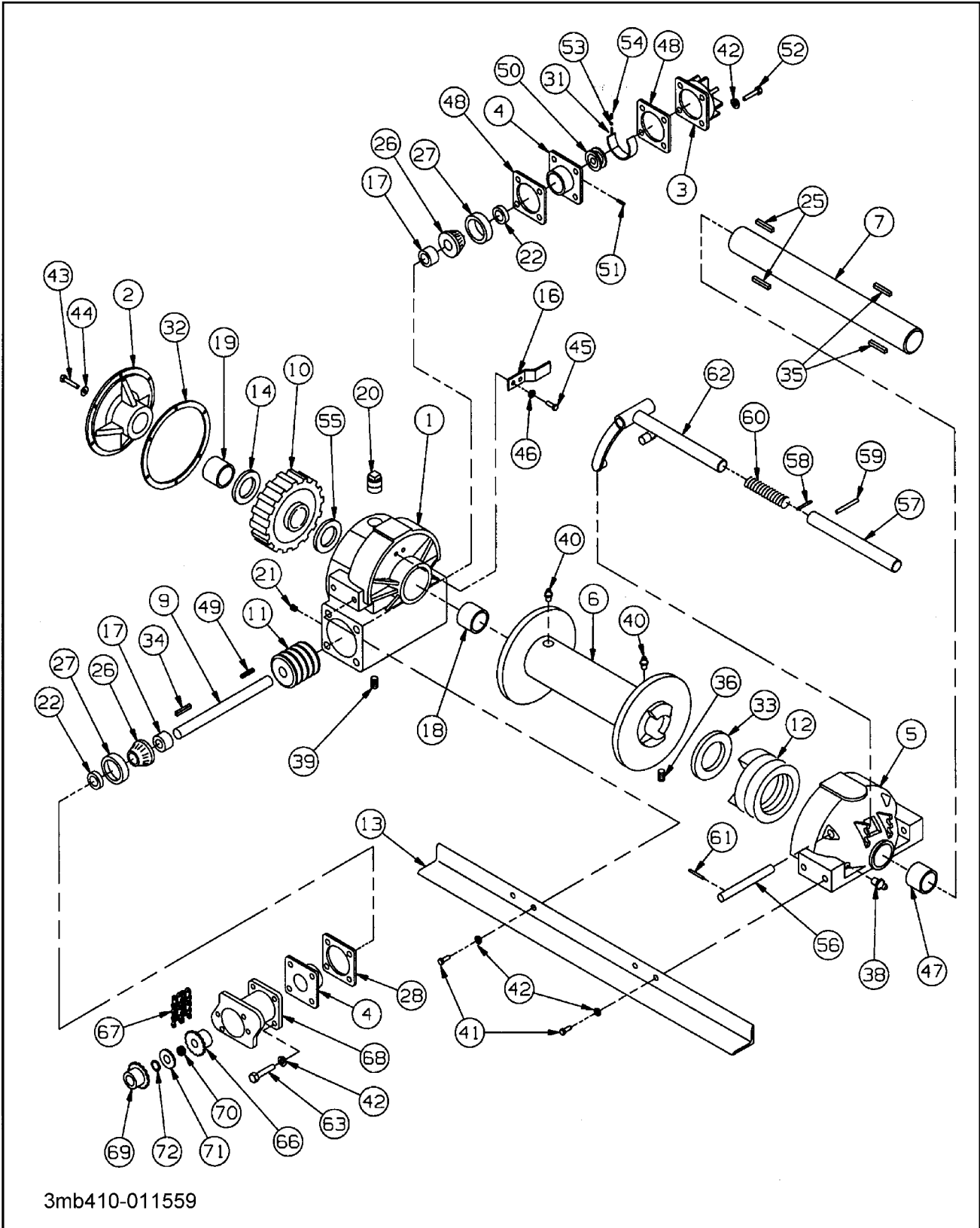


Figure 1-30 12,000# Winch Items (Braden Worm Gear)

12,000# WINCH ITEMS (BRADEN)

| ITEM | PART NO. | DESCRIPTION | QTY. |
|------|--------------|--|------|
| | 3-873-010122 | WINCH ASSEMBLY, 12,000# | |
| 1 | 81006 | HOUSING ASSEMBLY WORM (INCLUDES ITEM 18) | 1 |
| 2 | 81009 | HOUSING COVER WORM (INCLUDES ITEM 19) | 1 |
| 3 | 18032 | HOUSING, SAFETY BRAKE | 1 |
| 4 | 23303 | CONTAINER, BEARING | 2 |
| 5 | 81530 | LEG ASSEMBLY, BEARING (INCLUDES ITEM 47) | 1 |
| 6 | 11128 | DRUM, CABLE | 1 |
| 7 | 11129 | DRUM SHAFT, CABLE | 1 |
| 9 | 23470 | SHAFT, WORM | 1 |
| 10 | 11144 | GEAR, WORM | 1 |
| 11 | 11142 | WORM, LEFT HAND | 1 |
| 12 | 18039 | SLIDING CLUTCH | 1 |
| 13 | 22752 | ANGLE, BASE | 2 |
| 14 | 13680 | THRUST RING | 1 |
| 16 | 81025 | BRAKE, DRAG | 1 |
| 17 | 11308 | SPACER, WORM | 2 |
| 18 | 18078 | BUSHING | 1 |
| 19 | 11368 | BUSHING | 1 |
| 20 | 22775 | PLUG, PIPE | 1 |
| 21 | 18009 | PLUG, PIPE | 1 |
| 22 | 18026 | SEAL, GREASE | 2 |
| 25 | 11117 | KEY, WORM GEAR | 2 |
| 26 | 18015 | CONE, BEARING | 2 |
| 27 | 18016 | CUP, BEARING | 2 |
| 28 | 18027 | GASKET | 3 |
| 31 | 21925 | BAND, BRAKE | 1 |
| 32 | 11133 | WORM HOUSING COVER GASKET | 3 |
| 33 | 18019 | RETAINER RING | 1 |
| 34 | 18030 | KEY, WORM | 1 |
| 35 | 18020 | KEY, CLUTCH | 2 |
| 36 | 24032 | SCREW, SET | 1 |
| 38 | 18047 | FITTING, GREASE | 1 |
| 39 | 19045 | PLUG, PIPE | 1 |
| 40 | 11799 | FITTING, GREASE | 2 |
| 41 | 21961 | CAPSCREW | 12 |
| 42 | 18003 | WASHER, LOCK | 16 |
| 43 | 11767 | CAPSCREW | 6 |
| 44 | 11011 | WASHER, LOCK | 6 |
| 45 | 13005 | CAPSCREW | 2 |
| 46 | 12780 | WASHER, LOCK | 2 |
| 47 | 18078 | BUSHING | 1 |
| 48 | 18024 | BEARING CONTAINER GASKET | 3 |

12,000# WINCH ITEMS (BRADEN)

| ITEM | PART NO. | DESCRIPTION | QTY. |
|------|----------|-----------------------------|------|
| 49 | 10078 | KEY | 1 |
| 50 | 18028 | DRUM, BRAKE | 1 |
| 51 | 12075 | SCREW, SET | 1 |
| 52 | 22703 | CAPSCREW | 4 |
| 53 | 13468 | JAM NUT | 4 |
| 54 | 18029 | BRAKE BAND SPRING | 1 |
| 55 | 11240 | RETAINER RING | 1 |
| 56 | 11130 | SHIFTER SHAFT | 1 |
| 57 | 12817 | SHIFTER HANDLE | 1 |
| 58 | 18056 | ROLLPIN | 1 |
| 59 | 13028 | ROLLPIN | 1 |
| 60 | 18002 | SPRING | 1 |
| 61 | 11837 | ROLLPIN | 2 |
| 62 | 13839 | SHIFTER FORK | 1 |
| 63 | 22704 | CAPSCREW | 4 |
| 65 | 18044 | KEY (NOT SHOWN) | 1 |
| 66 | 23081 | COUPLING HALF (WORM SHAFT) | 1 |
| 67 | 13424 | ROLLER CHAIN | 1 |
| 68 | 23079 | MOTOR ADAPTER | 1 |
| 69 | 23083 | COUPLING HALF (MOTOR SHAFT) | 1 |
| 70 | 23353 | SPRING | 1 |
| 71 | 23078 | SPACER | 1 |
| 72 | 23085 | SPACER | 1 |

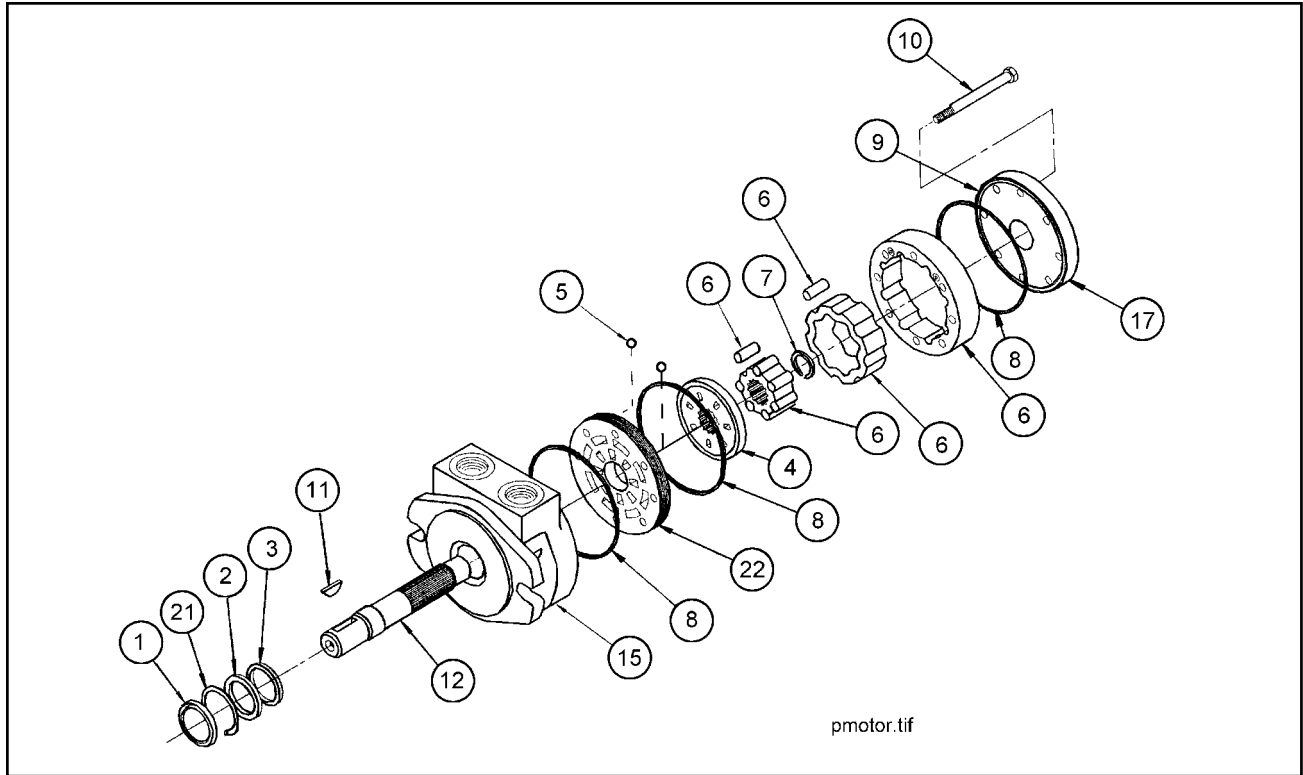


Figure 1-31 Winch Motor Assembly

WINCH MOTOR ASSEMBLY (BRADEN)

| ITEM | PART NO. | DESCRIPTION | QTY. |
|------|--------------|---------------------|------|
| | 3-481-010006 | MOTOR HYDRAULIC | 1 |
| 1 | 2183 | SEAL DUST | 1 |
| 2 | 2177 | BACK-UP RING | 1 |
| 3 | 2175 | SEAL LIP | 1 |
| 4 | 1644 | ROTARY VALVE | 1 |
| 5 | 1021 | CHECK VALVE BALL | 2 |
| 6 | 1004-3 | IGR ASSY | 1 |
| 7 | 1296 | SNAP RING | 1 |
| 8 | 1046 | RING SEAL | 3 |
| 9 | 1019-4 | PLUG VENT W/O-RING | 1 |
| 10 | 1114-5 | BOLTS HEX | 2 |
| 11 | 1655 | KEY WOODRUFF | 1 |
| 12 | 2109-3 | SHAFT | 1 |
| 15 | PA-2328-2 | BODY/BEARING ASSY | 1 |
| 17 | M110C-1 | COVER/BEARING ASSY | 1 |
| 21 | 2180 | SNAP RING SHAFT | 1 |
| 22 | 1865 | COMMUTATOR PLATE | 1 |
| | 2263 | SEAL KIT BODY | 1 |
| | 2480 | SEAL KIT BODY VITON | 1 |

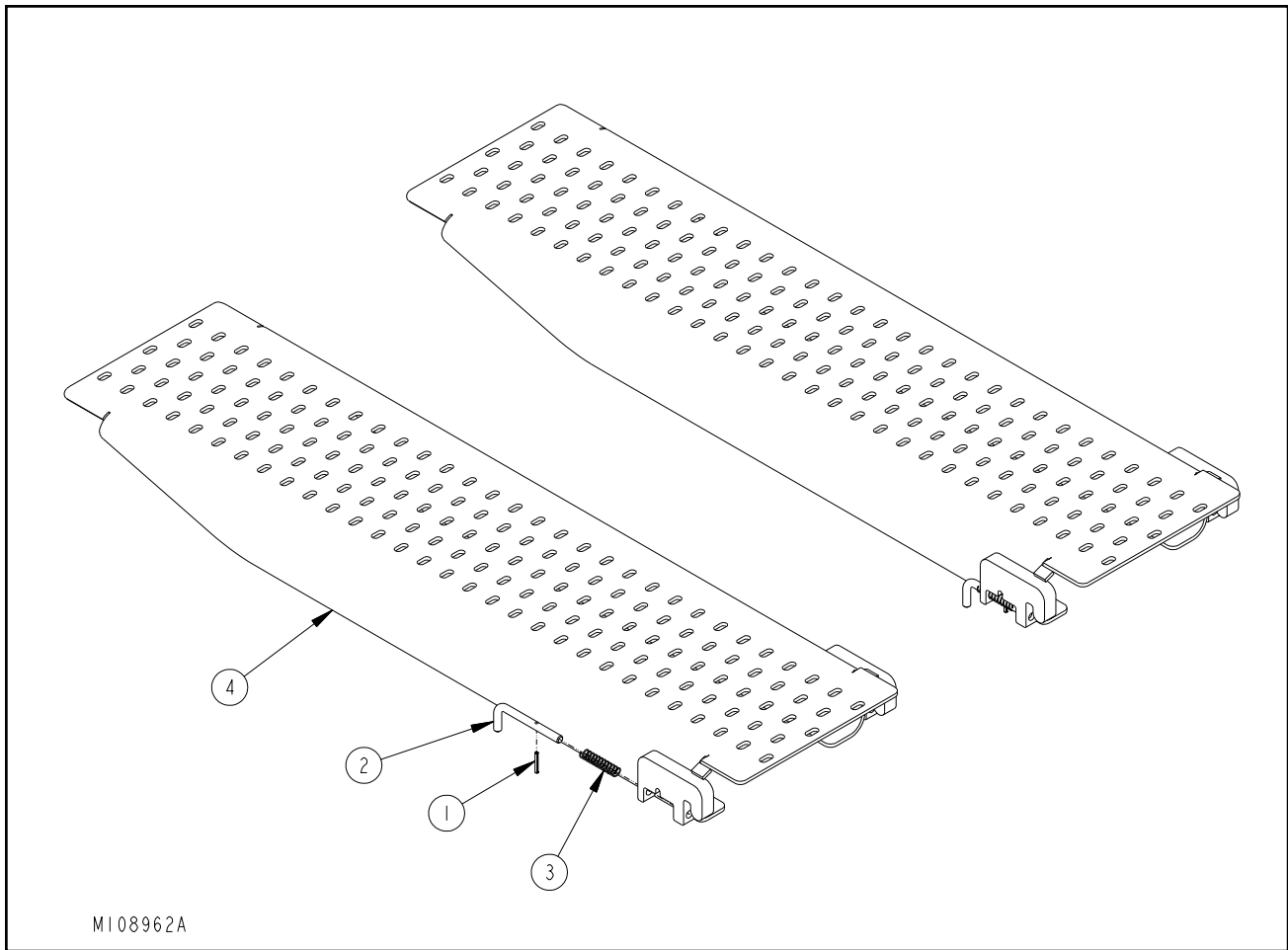


Figure 1-32 Portable Ramp Assembly (Option)

PORTABLE RAMP ASSEMBLY (OPTION)

| ITEM | PART NO. | DESCRIPTION | QTY. |
|------|-----------------|--------------------------------------|------|
| | 108962 | RAMP ASSEMBLY, ALUMINUM | |
| | 109174 | RAMP ASSEMBLY, STEEL | |
| 1 | 1-647-010004177 | ROLL PIN SLOTTED 3/16 X 1-1/2 | 4 |
| 2 | 104252 | PIN, P/O EXT LOCK | 4 |
| 3 | 104253 | SPRING, COMPRESSION P/O EXT LOCK | 4 |
| 4 | 108737 | RAMP WELDMENT, FRONT REMOVABLE | 2 |
| | 109173 | RAMP WELDMENT, STEEL FRONT REMOVABLE | 2 |

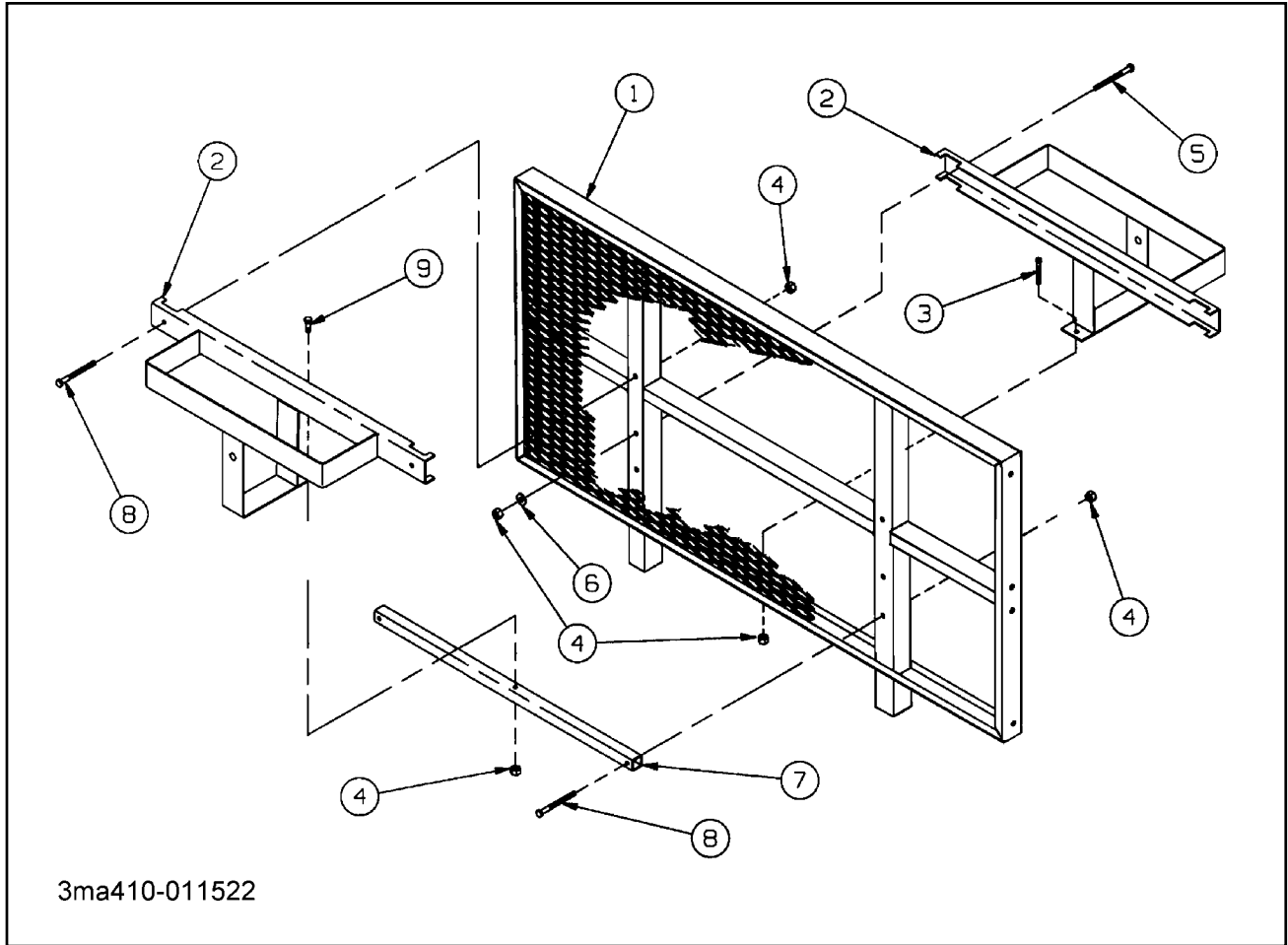


Figure 1-33 Spare Tire Carrier (Option)

SPARE TIRE CARRIER (OPTION)

| ITEM | PART NO. | DESCRIPTION | |
|------|-----------------|--|------|
| | 3-612-010015-1 | RACK INSTALLATION BHD, FRONT MOUNT | |
| | 3-612-010015-2 | RACK INSTALLATION BHD, REAR MOUNT | |
| 1 | 3-141-010120 | BULKHEAD WELDMENT | REF |
| 2 | 3-612-010016 | RACK WELDMENT BULKHEAD MOUNT | 1 |
| 3 | 1-654-010055-01 | SCREW, HEX HEAD CAP 1/2-13 X 1 GR5 | 1 |
| 4 | 1-512-010005-09 | NUT, HEX LOCK 1/2-13 GRB | 3,5* |
| 5 | 1-654-010055-15 | SCREW, HEX HEAD CAP 1/2-13 X 5 GR5 | 2 |
| 6 | 1-861-010032-15 | WASHER, FLAT 1/2W | 2,0* |
| 7 | 3-829-010337 | TUBE W/ TAB | 0,1* |
| 8 | 1-654-010055-18 | SCREW, HEX HEAD CAP 1/2-13 X 6-1/2 GR5 | 0,4* |
| 9 | 1-654-010055-09 | SCREW, HEX HEAD CAP 1/2-13 X 3 GR5 | 0,1* |

* FIRST QUANTITY IS FOR THE FRONT MOUNT, SECOND QUANTITY IS FOR THE REAR MOUNT.

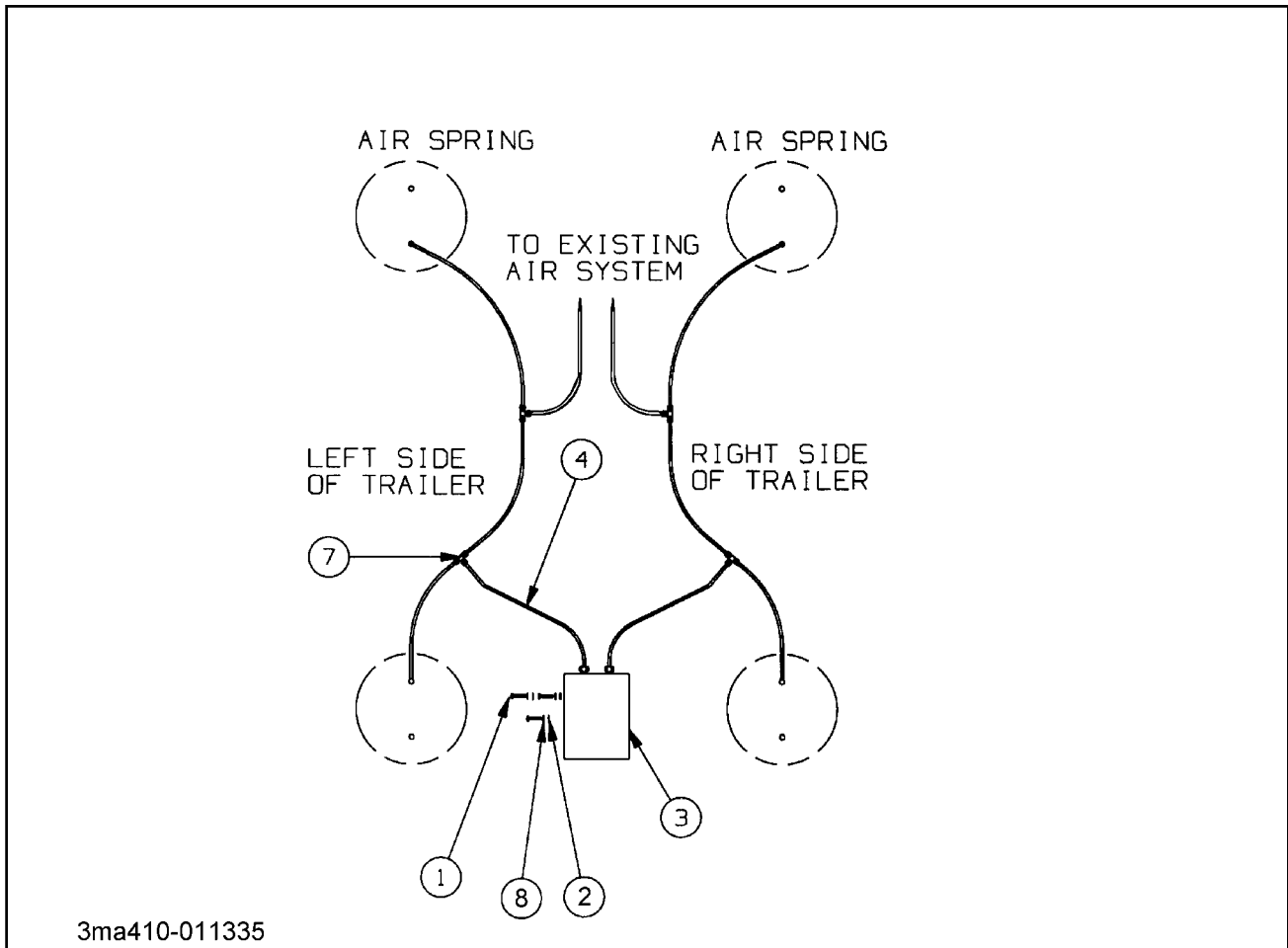


Figure 1-34 Scale-o-matic Installation (Option)

SCALE-O-MATIC INSTALLATION (OPTION)

| ITEM | PART NO. | DESCRIPTION | QTY. |
|------|-----------------|--|------|
| | 3-410-011335 | SCALE-O-MATIC INSTALLATION | |
| 1 | 1-654-010047-06 | SCREW, HEX HEAD CAP 1/4-20 X 1 GR5 | 4 |
| 2 | 1-512-010005-01 | NUT, HEX LOCK 1/4-20 GRB | 4 |
| 3 | 3-762-010612 | SCALE-O-MATIC 25000 LB CAP | 1 |
| 4 | 1-833-010001 | NYLON TUBING 1/4OD | 10 |
| 5 | 3-146-010072 | BUMPER (NOT SHOWN) | REF |
| 6 | 3-120-010426 | BRACKET, SCALE-O-MATIC MTG (NOT SHOWN) | 1 |
| 7 | 1-297-010010-04 | FITTING AIR UNION/TEE | 2 |
| 8 | 1-861-010032-06 | WASHER, FLAT 1/4N | 4 |
| 9 | 1-654-010049-05 | SCREW, HEX HEAD CAP 5/16-18 X 1 GR5(NOT SHOWN) | 4 |
| 10 | 1-861-010032-09 | WASHER, FLAT 5/16-18 X 1 GR5 (NOT SHOWN) | 4 |
| 11 | 1-512-010005-03 | NUT, HEX LOCK 5/16-18 GRB (NOT SHOWN) | 4 |

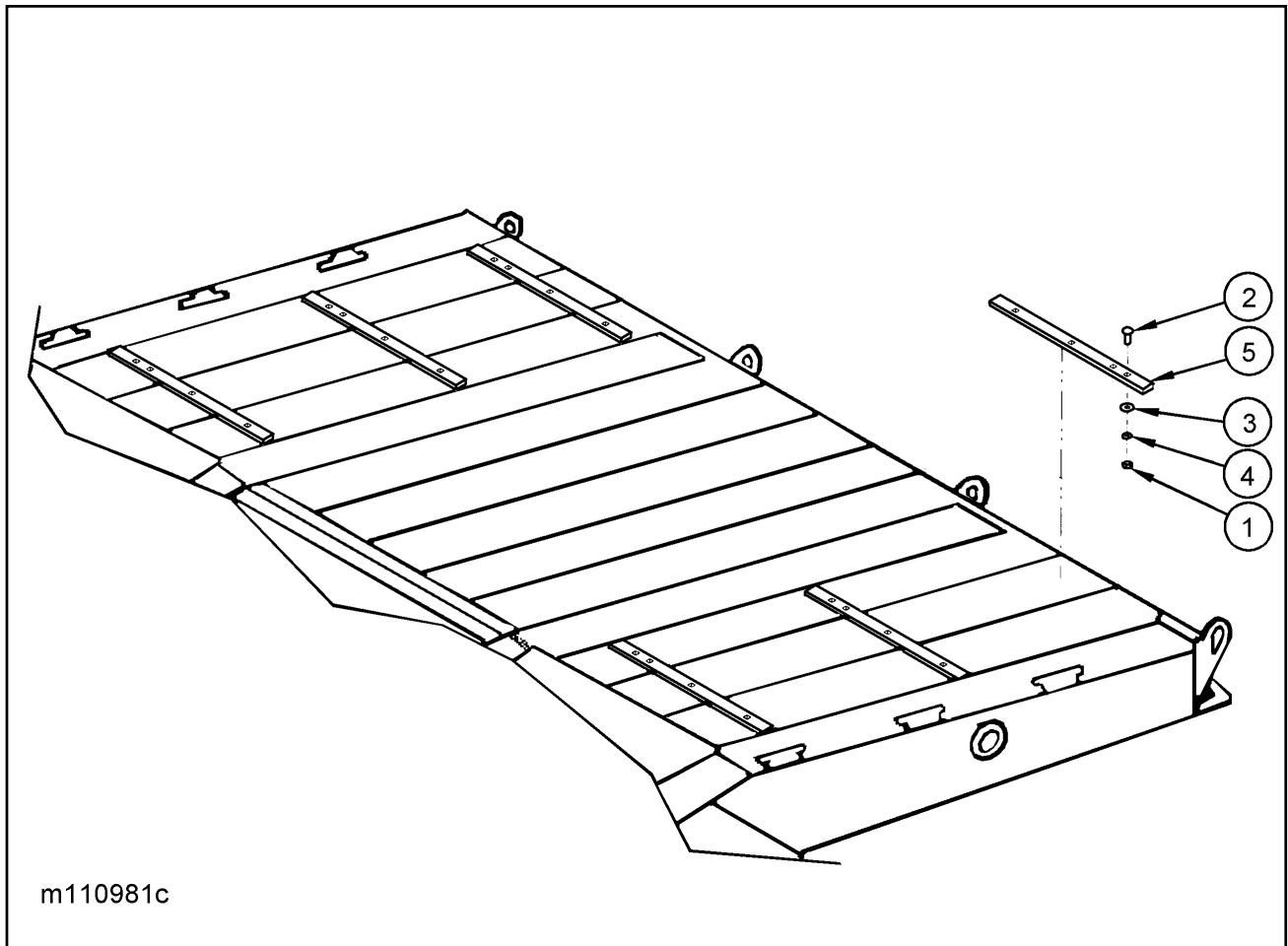


Figure 1-35 Traction Bar Assembly (Option)

TRACTION BAR ASSEMBLY (OPTION)

| ITEM | PART NO. | DESCRIPTION | QTY. |
|------|-----------------|-----------------------------------|------|
| | 117496 | TRACTION BAR ASSEMBLY | |
| | 3-054-010483-01 | TRACTION BAR INSTALLATION | |
| 1 | 1-512-010007-09 | NUT, HEX 1/2-13 | 3 |
| 2 | 1-654-010070-09 | SCREW, RD HEAD SQ NECK 1/2-13 X 3 | 3 |
| 3 | 1-861-010032-15 | WASHER FLAT 1/2 | 3 |
| 4 | 1-861-010034-13 | WASHER, SPLIT LOCK 1/2 | 3 |
| 5 | 117497 | BAR, TRACTION | 1 |
| | 3-054-010482 | BAR, TRACTION | 1 |

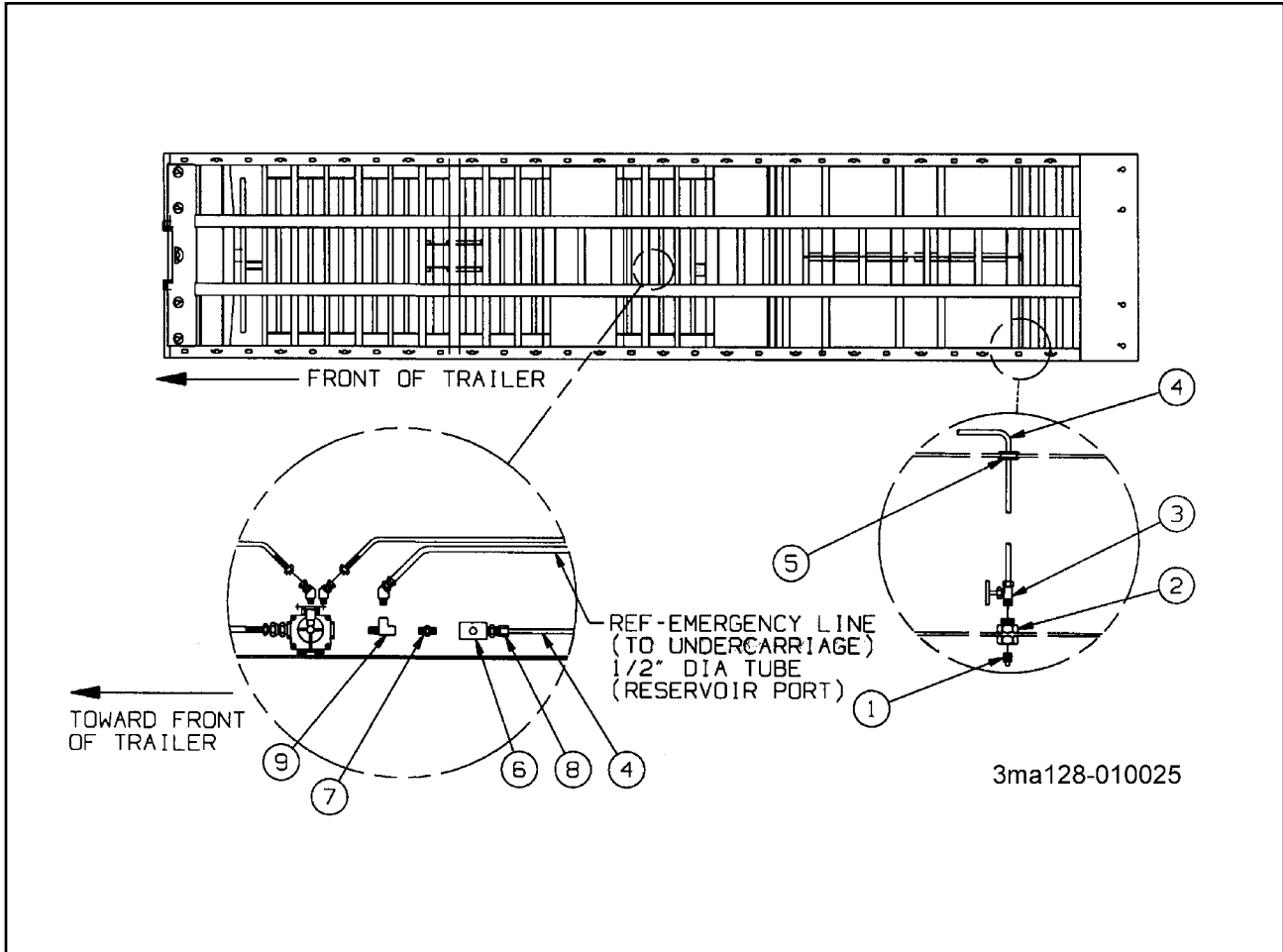


Figure 1-36 Air Outlet, Accessory Assembly (Option)

AIR OUTLET, ACCESSORY ASSEMBLY (OPTION)

| ITEM | PART NO. | DESCRIPTION | QTY. |
|------|-----------------|------------------------------|------|
| | 3-128-010025 | AIR OUTLET, ACCESSORY | |
| 1 | 1-560-010002-02 | PLUG, PIPE 1/4 | 1 |
| 2 | 1-297-010022-02 | FITTING, AIR ANCHOR COUPLING | 1 |
| 3 | A6760S | SHUT OFF VALVE | 1 |
| 4 | 1-833-010002 | TUBING, NYLON 3/8 | 20 |
| 5 | 1-343-010007 | GROMMET | 1 |
| 6 | 905-54-107 | BRAKE PROTECTION VALVE | 1 |
| 7 | 2083-8-4S | NIPPLE, HEX | 1 |
| 8 | 1-297-010007-11 | FITTING, AIR | 1 |
| 9 | 1-297-010018-04 | FITTING, BRASS PIPE TEE | 1 |

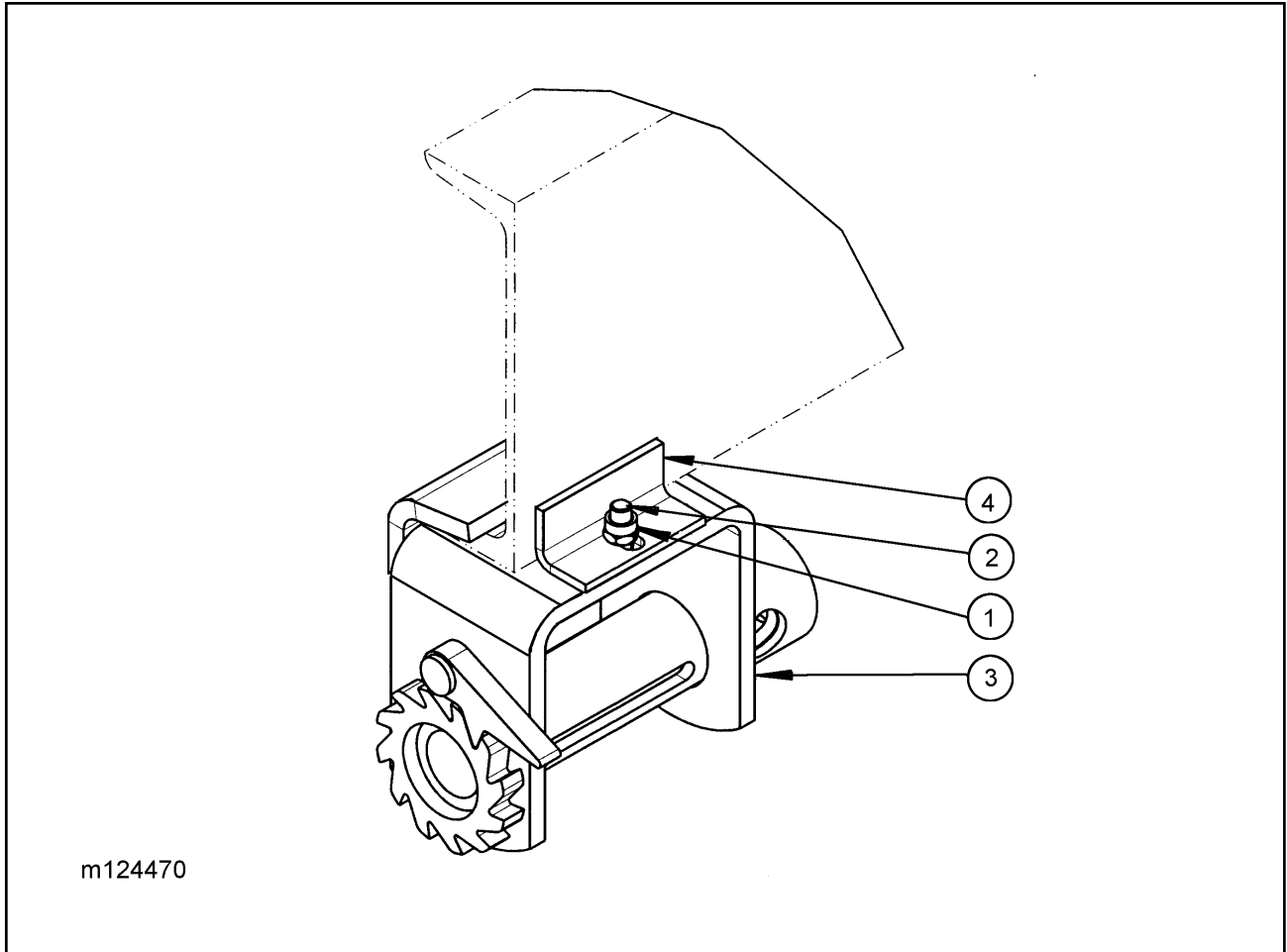


Figure 1-37 Webbing Slide Winch Assembly (Option)

WEBBING SLIDE WINCH ASSEMBLY (OPTION)

| ITEM | PART NO. | DESCRIPTION | QTY. |
|------|-----------------|--|------|
| | 124470 | WINCH ASSEMBLY, 4" WEBBING SLIDING | |
| 1 | 1-512-010005-05 | NUT, HEX LOCK 3/8-16 GRB | 1 |
| 2 | 1-654-010051-06 | SCREW, HEX HEAD CAP 3/8-16 X 1-1/4 GR5 | 1 |
| 3 | 124472 | WINCH WEBBING SLIDE MOD. | 1 |
| 4 | 124474 | ANCHOR WEBBING WINCH | 1 |

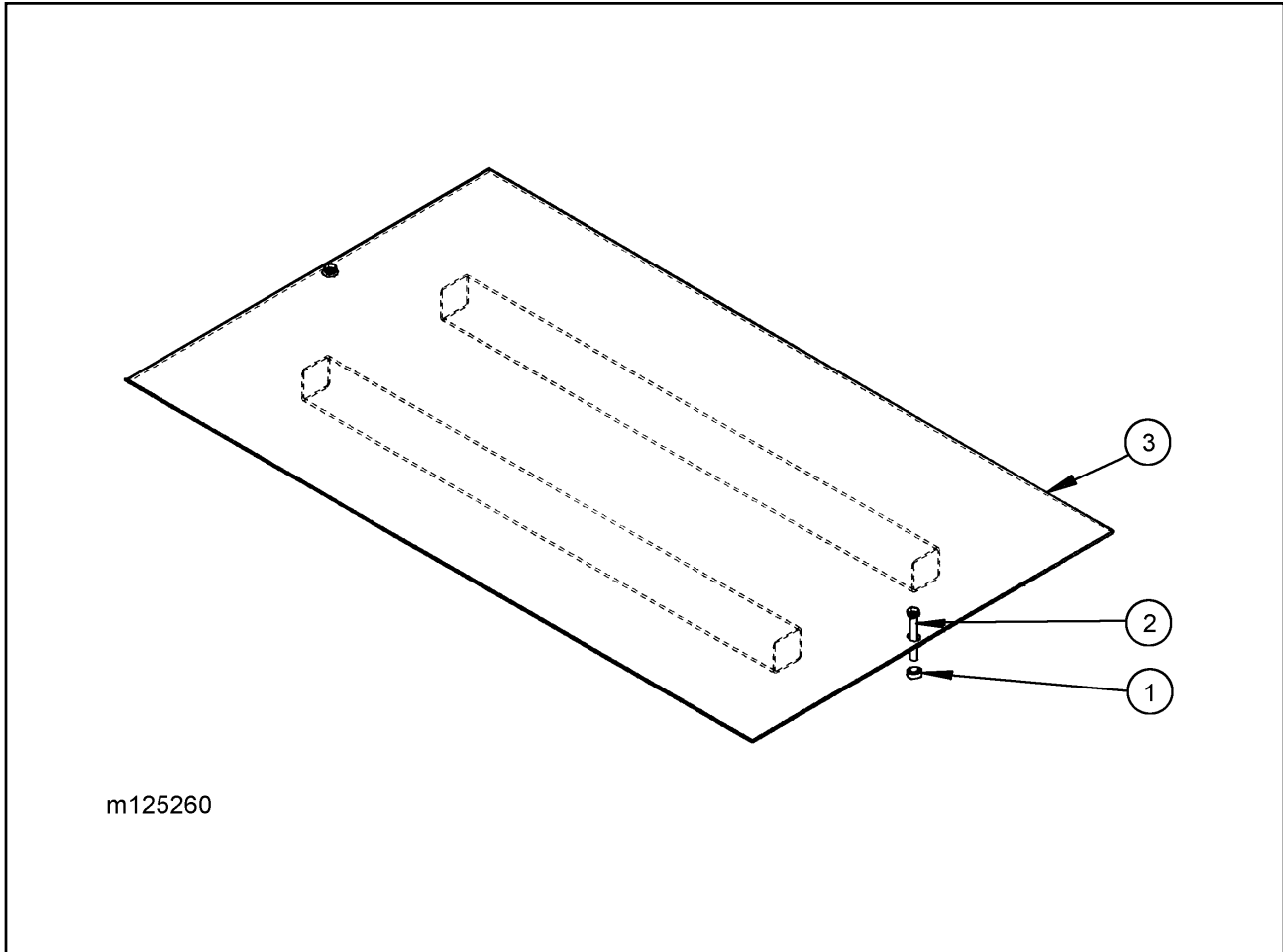


Figure 1-38 Upper Deck Cover Installation (Option)

UPPER DECK COVER INSTALLATION (OPTION)

| ITEM | PART NO. | DESCRIPTION | QTY. |
|------|-----------------|--|------|
| | 125260 | UPPER DECK COVER INSTALLATION | |
| 1 | 1-510-010001 | NUT, FLANGE HEAD SERR. 3/8-16 | 2 |
| 2 | 1-654-010051-07 | SCREW, HEX HEAD CAP 3/8-16 X 1-1/2 GR5 | 2 |
| 3 | 125261 | COVER WELDMENT, UPPER DECK | 1 |

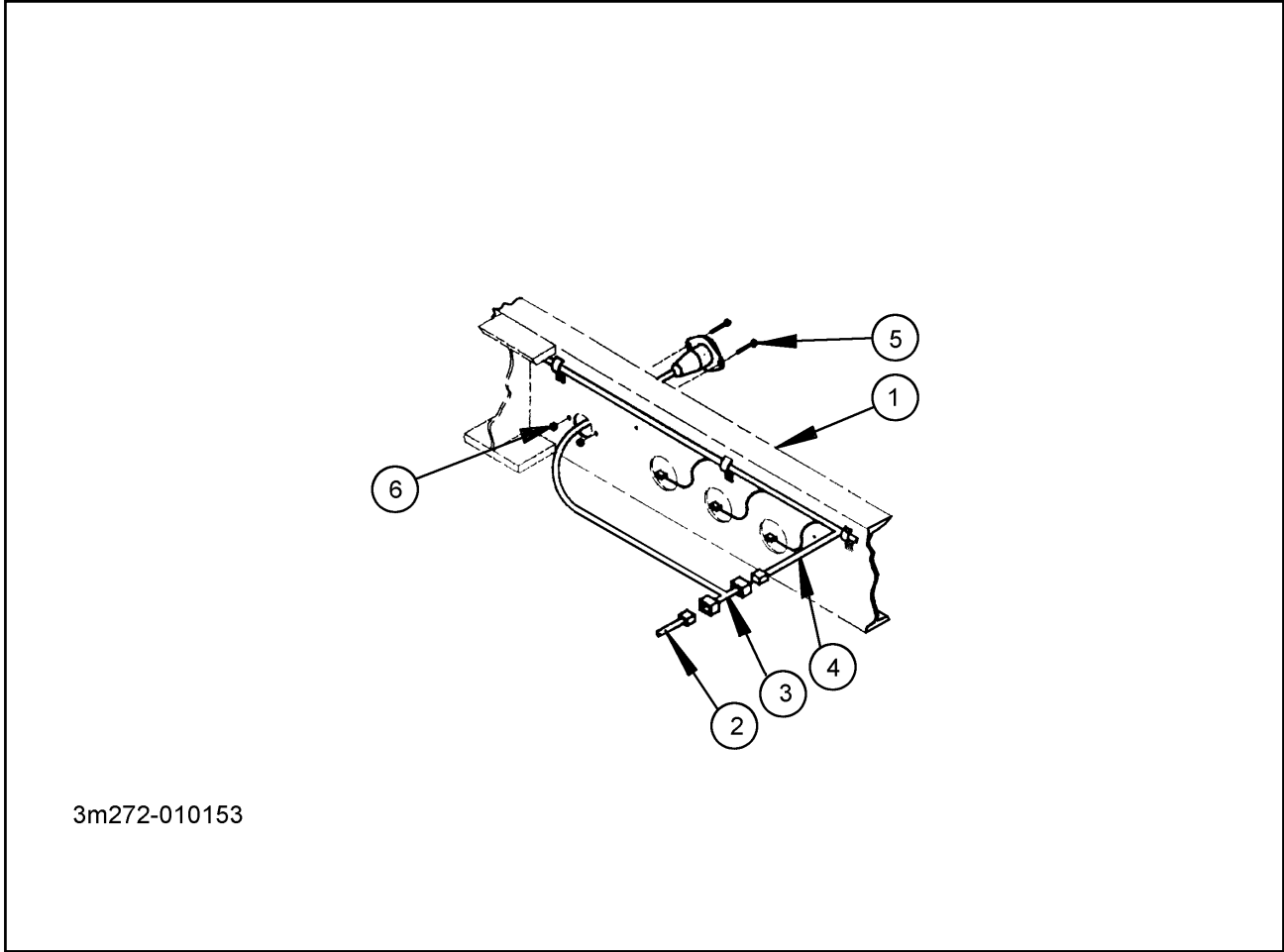


Figure 1-39 7 Way Recp. Bumper Electrical Installation (Option)

7 WAY RECP. BUMPER ELECTRICAL INSTL. (OPTION)

| ITEM | PART NO. | DESCRIPTION | QTY. |
|------|-----------------|--|------|
| | 3-272-010153 | ELECTRICAL INSTALLATION, 7-WAY RECP BUMPER | |
| 1 | ---- | CHANNEL, TAILBOARD | REF |
| 2 | 3-368-010057 | HARNESS, FRONT MAIN DECK | REF |
| 3 | 3-368-010257 | HARNESS, MOD. EXT. 7 WAY RECP | 1 |
| 4 | 3-368-010060 | WIRE, HARNESS, REAR | REF |
| 5 | 1-654-010049-06 | SCREW, HEX HEAD CAP 5/16-18 X 1-1/4 GR5 | 2 |
| 6 | 1-512-010005-03 | NUT, HEX LOCK 5/16-18 | 2 |

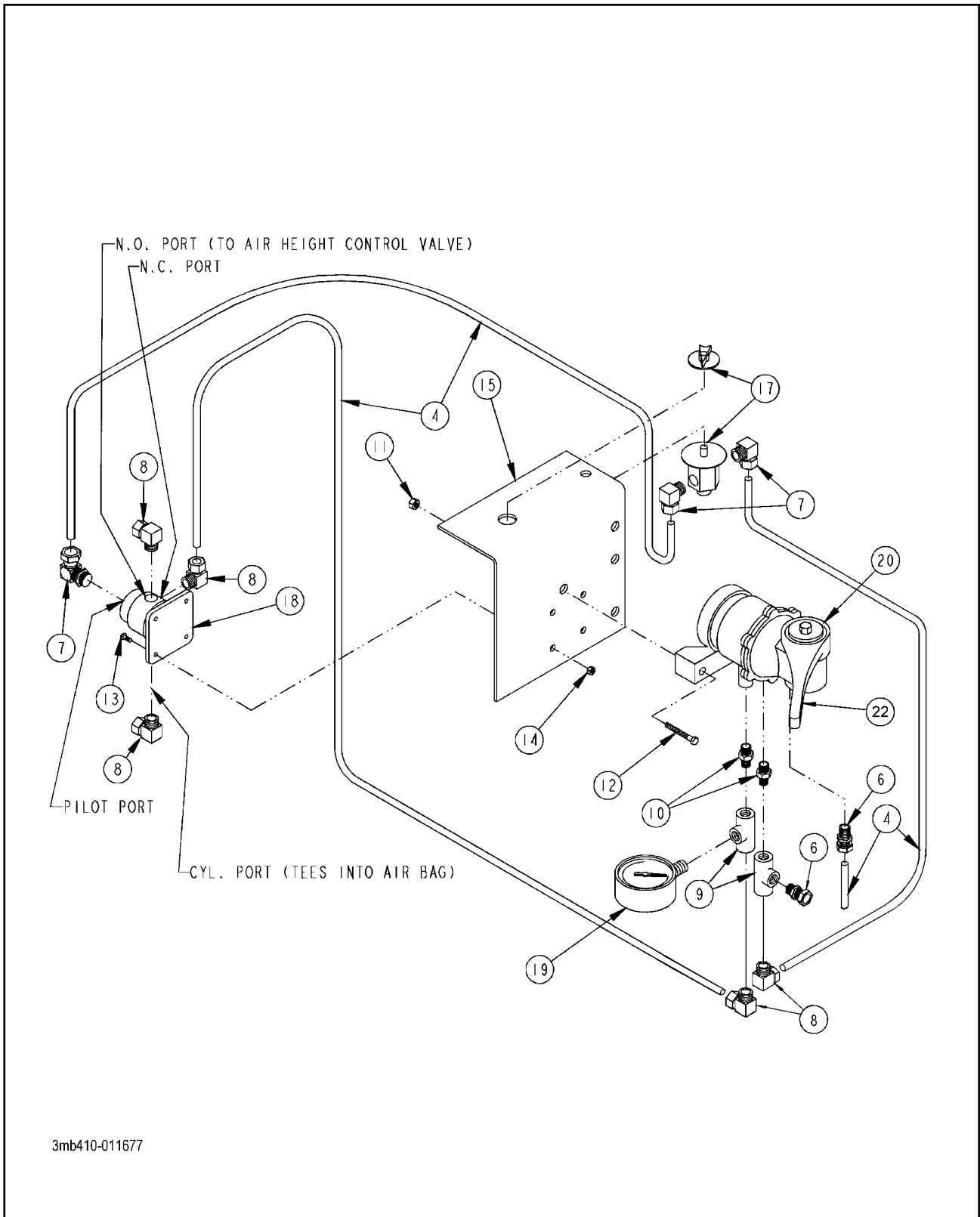


Figure 1-40 Manual Air Height Control Assembly (Option)

MANUAL AIR HEIGHT CONTROL ASSEMBLY (OPTION)

| ITEM | PART NO. | DESCRIPTION | QTY. |
|------|-------------------|--|------|
| | 112326 | CONTROL ASSEMBLY, AIR R/L | |
| 1 | *1-297-010010-01 | FITTING, AIR UNION TEE 1/4 (NOT SHOWN) | 1 |
| 2 | **1-512-010005-03 | NUT, HEX LOCK 5/16-18 GRB (NOT SHOWN) | 3 |
| 3 | **1-654-010049-05 | SCREW, HEX HEAD CAP 5/16-18 X 1 GR (NOT SHOWN) | 3 |
| 4 | 1-833-010001 | NYLON TUBING 1/4 | AR |
| 5 | **1-861-010032-09 | WASHER, FLAT 5/16 (NOT SHOWN) | 3 |
| 6 | 1-297-010007-05 | FITTING, AIR | 2 |
| 7 | 1-297-010008-05 | FITTING, AIR 90 | 3 |
| 8 | 1-297-010008-07 | FITTING, AIR 90 | 5 |
| 9 | 1-297-010009-02 | FITTING, AIR PIPE TEE 1/4 | 2 |
| 10 | 1-297-010020-02 | FITTING, BRASS PIPE | 2 |
| 11 | 1-512-010005-03 | NUT, HEX LOCK 5/16-18 GRB | 2 |
| 12 | 1-654-010049-06 | SCREW, HEX HEAD CAP 5/16-18 X 1-1/4 GR5 | 2 |
| 13 | 1-656-010003051 | SCREW, RD HEAD MACH #10-24 X 3/4 | 4 |
| 14 | 1-512-010003-06 | NUT, HEX LOCK 10-24 | 4 |
| 15 | 112324 | PLATE, MOUNTING AIR LIFT KIT | 1 |
| 16 | 112325 | AIR CONTROL KIT MANUAL (INCL ITEMS 17-21) | 1 |
| 17 | 900-54-088 | VALVE, MANUALLY OPERATED | 1 |
| | 900-54-211 | KNOB FOR 900-54-088 | 1 |
| 18 | 900-54-079 | PILOT VALVE | 1 |
| 19 | 900-54-280 | AIR GAUGE | 1 |
| 20 | 900-54-082 | HAND CONTROL VALVE | 1 |
| 21 | 900-44-206 | DECAL (NOT SHOWN) | 1 |
| 22 | 105390 | HANDLE REPLACEMENT MANUAL HEIGHT CONTROL | 1 |

* USED TO CONNECT HEIGHT CONTROL ASSEMBLY TO AIR RIDE SYSTEM

** USED TO CONNECT HEIGHT CONTROL ASSEMBLY TO THE TRAILER FRAME

NUMERICAL INDEX

2

| PART | PAGE | PART | PAGE | PART | PAGE |
|------------------|-------------|--------------|-------------|----------------|-------------|
| 005-074-00 | 21 | 100401 | 35 | 105479 | 07 |
| 005-075-00 | 21 | 100402 | 35 | 105479 | 09 |
| 005-096-00 | 21 | 1004-3 | 57 | 105480 | 07 |
| 005-097-00 | 21 | 100600 | 53 | 105480 | 09 |
| 005-098-00 | 21 | 1-007-010006 | 09 | 105481 | 07 |
| 005-099-00 | 21 | 1-007-010025 | 07 | 105481 | 09 |
| 005-134-00 | 21 | 10078 | 56 | 105482 | 07 |
| 006-114-00 | 21 | 101003 | 31 | 105482 | 09 |
| 006-115-00 | 21 | 101845 | 33 | 105483 | 07 |
| 010-052-00 | 21 | 101846 | 33 | 10562-00 | 17 |
| 014-056-00 | 21 | 101848 | 27 | 105822 | 07 |
| 014-057-00 | 21 | 101848 | 29 | 105822 | 39 |
| 014-058-00 | 21 | 101848 | 31 | 106759 | 09 |
| 014-065-00 | 21 | 101848 | 33 | 106760 | 09 |
| 014-068-00 | 20 | 101851 | 33 | 107-0975 | 47 |
| 021-038-01(4009) | 35 | 101853 | 33 | 107498 | 09 |
| 024-100-00 | 21 | 101854 | 33 | 107499 | 09 |
| 034-057-07 | 21 | 101855 | 33 | 107500 | 09 |
| 034-058-01 | 21 | 1019-4 | 57 | 107513 | 09 |
| 034-058-07 | 21 | 10205R | 15 | 107520 | 09 |
| 034-188-05 | 21 | 10205Y | 15 | 108541 | 35 |
| 034-189-05 | 21 | 1021 | 57 | 108628 | 41 |
| 034-192-08 | 21 | 102361 | 03 | 108737 | 58 |
| 034-193-08 | 21 | 102361 | 23 | 108801 | 27 |
| 040-180-00 | 21 | 102363 | 03 | 108801 | 29 |
| 040-320-01 | 21 | 102363 | 23 | 108801 | 31 |
| 041-057-01 | 21 | 102732 | 19 | 108802 | 27 |
| 041-058-01 | 21 | 102732 | 27 | 108802 | 29 |
| 041-059-01 | 21 | 103783 | 35 | 108802 | 31 |
| 041-060-01 | 21 | 103861 | 33 | 108962 | 58 |
| 046-092-00 | 21 | 10403 | 15 | 109160 | 41 |
| 046-096-00 | 21 | 10404 | 15 | 109161 | 43 |
| 046-097-00 | 21 | 104143 | 15 | 109173 | 58 |
| 056-010-00 | 21 | 104150 | 15 | 109174 | 58 |
| 056-017-00 | 20 | 104238 | 41 | 109533 | 23 |
| 056-018-00 | 21 | 104243 | 41 | 109709 | 41 |
| 061-006-00 | 21 | 104252 | 58 | 109709 | 43 |
| 069-018-00 | 21 | 104253 | 58 | 109710 | 41 |
| 069-020-00 | 21 | 1046 | 57 | 109711 | 43 |
| 069-078-00 | 21 | 105-0093 | 03 | 109712 | 43 |
| 071-122-00 | 21 | 105390 | 67 | 1-1/4ST ELL | 09 |
| 071-124-00(3067) | 35 | 105408 | 23 | 11011 | 55 |
| 097-002-00 | 21 | 105408 | 25 | 110975(2023—T) | 35 |

| PART | PAGE | PART | PAGE | PART | PAGE |
|----------------------|-------------|-------------|-------------|--------------|-------------|
| 110976(66884) | 35 | 114584 | 33 | 117494 | 39 |
| 111006 | 23 | 114586 | 27 | 117495 | 39 |
| 111007 | 23 | 114586 | 33 | 117496 | 61 |
| 111008 | 23 | 114588 | 27 | 117497 | 61 |
| 111008 | 23 | 114588 | 29 | 117647 | 17 |
| 111008 | 25 | 114588 | 31 | 117649 | 03 |
| 111010 | 23 | 114588 | 33 | 117649 | 17 |
| 111010 | 23 | 114590 | 27 | 117650 | 03 |
| 111010 | 25 | 114590 | 29 | 117650 | 17 |
| 111011 | 23 | 114590 | 31 | 11767 | 55 |
| 111012 | 23 | 114590 | 33 | 117794 | 39 |
| 111013 | 23 | 114619 | 35 | 117795 | 39 |
| 111014 | 23 | 114807 | 47 | 117860 | 47 |
| 111015 | 23 | 114808 | 47 | 11799 | 55 |
| 111018 | 23 | 114814 | 47 | 118169 | 41 |
| 111019 | 23 | 114815 | 47 | 118246 | 41 |
| 111020 | 23 | 114834 | 07 | 118-2659-9 | 27 |
| 111022 | 23 | 115704 | 17 | 118-2659-9 | 29 |
| 111022 | 25 | 115704 | 20 | 118-2659-9 | 31 |
| 111023 | 23 | 115709 | 17 | 11837 | 56 |
| 11117 | 55 | 115709 | 20 | 12075 | 56 |
| 11128 | 55 | 115715 | 20 | 12-16 070120 | 09 |
| 11129 | 55 | 115747 | 03 | 122286 | 07 |
| 11130 | 56 | 115761 | 03 | 122345 | 03 |
| 11133 | 55 | 115761 | 17 | 122345 | 25 |
| 11142 | 55 | 115762 | 03 | 122346 | 03 |
| 11144 | 55 | 115762 | 17 | 122346 | 25 |
| 1114-5 | 57 | 115843 | 47 | 122348 | 25 |
| 1-116-010019 | 03 | 115877 | 47 | 122349 | 25 |
| 112047 | 35 | 116616 | 44 | 122351 | 03 |
| 112324 | 67 | 116616 | 45 | 124469 | 39 |
| 112325 | 67 | 116623 | 47 | 124470 | 63 |
| 112326 | 67 | 116624 | 47 | 124472 | 63 |
| 11240 | 56 | 116628 | 47 | 124474 | 63 |
| 112493(2027—T8 0) | 35 | 116729 | 39 | 125130 | 09 |
| | | 116730 | 39 | 125254 | 05 |
| 112678 | 41 | 116746 | 39 | 125255 | 05 |
| 112679 | 41 | 116747 | 39 | 125260 | 64 |
| 11308 | 55 | 116753 | 44 | 125261 | 64 |
| 113274 | 07 | 116754 | 44 | 126283 | 27 |
| 113274 | 39 | 116755 | 45 | 126284 | 29 |
| 113536 | 35 | 116756 | 45 | 126285 | 31 |
| 11368 | 55 | 116757 | 41 | 127777 | 21 |
| 114584 | 27 | 117001 | 41 | 127778 | 21 |
| 114584 | 29 | 117003 | 41 | 127779 | 21 |
| 114584 | 31 | 117004 | 41 | 12780 | 55 |

| PART | PAGE | PART | PAGE | PART | PAGE |
|-----------------|-------------|-----------------|-------------|-----------------|-------------|
| 12817 | 56 | 1-297-010031-02 | 52 | 1-512-010005-03 | 67 |
| 128550 | 21 | 1-297-010032-03 | 52 | 1-512-010005-05 | 09 |
| 1-295-010001 | 09 | 1-297-010033-02 | 49 | 1-512-010005-05 | 27 |
| 1-295-010002 | 09 | 13005 | 55 | 1-512-010005-05 | 29 |
| 1296 | 57 | 13028 | 56 | 1-512-010005-05 | 31 |
| 1-297-010007-04 | 52 | 13424 | 56 | 1-512-010005-05 | 41 |
| 1-297-010007-05 | 49 | 1-343-010007 | 62 | 1-512-010005-05 | 52 |
| 1-297-010007-05 | 52 | 13468 | 56 | 1-512-010005-05 | 63 |
| 1-297-010007-05 | 67 | 13680 | 55 | 1-512-010005-09 | 05 |
| 1-297-010007-11 | 62 | 13839 | 56 | 1-512-010005-09 | 09 |
| 1-297-010008-01 | 49 | 1-384-010038024 | 31 | 1-512-010005-09 | 53 |
| 1-297-010008-05 | 53 | 1-384-010038054 | 27 | 1-512-010005-09 | 59 |
| 1-297-010008-05 | 67 | 1-384-010038054 | 29 | 1-512-010005-13 | 41 |
| 1-297-010008-07 | 27 | 1-384-010038072 | 31 | 1-512-010005-13 | 52 |
| 1-297-010008-07 | 49 | 1-384-010038076 | 27 | 1-512-010007-03 | 15 |
| 1-297-010008-07 | 52 | 1-384-010038076 | 29 | 1-512-010007-05 | 53 |
| 1-297-010008-07 | 67 | 1-384-010038076 | 31 | 1-512-010007-09 | 23 |
| 1-297-010008-18 | 27 | 1-384-010038084 | 31 | 1-512-010007-09 | 25 |
| 1-297-010008-18 | 29 | 1-397-010301100 | 09 | 1-512-010007-09 | 61 |
| 1-297-010008-18 | 31 | 1-397-010301170 | 52 | 1-512-010007-12 | 53 |
| 1-297-010008-23 | 27 | 1-397-010302172 | 52 | 1-557-010014 | 05 |
| 1-297-010008-23 | 29 | 1-397-010305156 | 07 | 1-557-010362-63 | 05 |
| 1-297-010008-23 | 31 | 1-397-010305164 | 07 | 1-557-010362-63 | 05 |
| 1-297-010009-02 | 67 | 15009 | 15 | 1-560-010002-01 | 52 |
| 1-297-010010-01 | 27 | 1-510-010001 | 07 | 1-560-010002-02 | 62 |
| 1-297-010010-01 | 67 | 1-510-010001 | 36 | 1-560-010002-03 | 27 |
| 1-297-010010-04 | 27 | 1-510-010001 | 64 | 1-560-010002-03 | 29 |
| 1-297-010010-04 | 60 | 1-510-010003-09 | 47 | 1-560-010002-03 | 31 |
| 1-297-010012-16 | 27 | 1-512-010003-02 | 49 | 1-560-010002-04 | 09 |
| 1-297-010012-16 | 29 | 1-512-010003-02 | 53 | 1-560-010002-04 | 27 |
| 1-297-010012-16 | 31 | 1-512-010003-06 | 67 | 1-560-010002-04 | 29 |
| 1-297-010013-11 | 27 | 1-512-010004-03 | 53 | 1-560-010002-04 | 31 |
| 1-297-010013-16 | 27 | 1-512-010005-01 | 07 | 1-560-010002-05 | 09 |
| 1-297-010013-16 | 29 | 1-512-010005-01 | 15 | 1-560-010002-05 | 27 |
| 1-297-010013-16 | 31 | 1-512-010005-01 | 27 | 1-560-010002-05 | 29 |
| 1-297-010015-07 | 27 | 1-512-010005-01 | 29 | 1-560-010002-05 | 31 |
| 1-297-010015-07 | 29 | 1-512-010005-01 | 31 | 1-560-010002-07 | 09 |
| 1-297-010015-07 | 31 | 1-512-010005-01 | 49 | 1-573-010476 | 39 |
| 1-297-010015-11 | 31 | 1-512-010005-01 | 60 | 1-573-010477 | 39 |
| 1-297-010018-04 | 62 | 1-512-010005-03 | 15 | 1-573-010480 | 39 |
| 1-297-010019-05 | 49 | 1-512-010005-03 | 41 | 1-573-010481 | 39 |
| 1-297-010019-05 | 53 | 1-512-010005-03 | 45 | 16086-01 | 17 |
| 1-297-010020-02 | 53 | 1-512-010005-03 | 49 | 16398-04 | 17 |
| 1-297-010020-02 | 67 | 1-512-010005-03 | 60 | 16398-08 | 17 |
| 1-297-010022-02 | 53 | 1-512-010005-03 | 65 | 1644 | 57 |
| 1-297-010022-02 | 62 | 1-512-010005-03 | 67 | 1-647-010004177 | 58 |

| PART | PAGE | PART | PAGE | PART | PAGE |
|-----------------|-------------|-----------------|-------------|-----------------|-------------|
| 1-647-010004255 | 44 | 1-654-010055-16 | 52 | 1-833-010003 | 29 |
| 1-647-010004255 | 45 | 1-654-010055-18 | 59 | 1-833-010003 | 31 |
| 1-647-010004255 | 52 | 1-654-010059-03 | 41 | 1-833-01001 | 52 |
| 1-647-010004259 | 44 | 1-654-010059-04 | 41 | 1-843-010014 | 35 |
| 1-654-010024014 | 49 | 1-654-010059-05 | 41 | 1-861-010032-01 | 49 |
| 1-654-010024014 | 53 | 1-654-010059-15 | 52 | 1-861-010032-01 | 53 |
| 1-654-010036-05 | 52 | 1-654-010070-09 | 61 | 1-861-010032-06 | 49 |
| 1-654-010047-06 | 15 | 1-654-010141-04 | 52 | 1-861-010032-06 | 53 |
| 1-654-010047-06 | 27 | 1-654-010158-1 | 07 | 1-861-010032-06 | 60 |
| 1-654-010047-06 | 29 | 1655 | 57 | 1-861-010032-07 | 15 |
| 1-654-010047-06 | 31 | 1-656-010003051 | 15 | 1-861-010032-07 | 47 |
| 1-654-010047-06 | 60 | 1-656-010003051 | 67 | 1-861-010032-09 | 15 |
| 1-654-010049-03 | 35 | 1-656-010003053 | 53 | 1-861-010032-09 | 41 |
| 1-654-010049-05 | 60 | 1-765-010065 | 52 | 1-861-010032-09 | 60 |
| 1-654-010049-05 | 67 | 1-796-010001 | 15 | 1-861-010032-09 | 67 |
| 1-654-010049-06 | 15 | 179933 | 35 | 1-861-010032-10 | 52 |
| 1-654-010049-06 | 49 | 18002 | 56 | 1-861-010032-11 | 05 |
| 1-654-010049-06 | 65 | 18003 | 55 | 1-861-010032-11 | 07 |
| 1-654-010049-06 | 67 | 18009 | 55 | 1-861-010032-11 | 27 |
| 1-654-010049-15 | 45 | 18015 | 55 | 1-861-010032-11 | 29 |
| 1-654-010051-06 | 05 | 18016 | 55 | 1-861-010032-11 | 31 |
| 1-654-010051-06 | 07 | 18019 | 55 | 1-861-010032-11 | 36 |
| 1-654-010051-06 | 09 | 18020 | 55 | 1-861-010032-11 | 41 |
| 1-654-010051-06 | 52 | 18024 | 55 | 1-861-010032-15 | 05 |
| 1-654-010051-06 | 63 | 18026 | 55 | 1-861-010032-15 | 47 |
| 1-654-010051-07 | 07 | 18027 | 55 | 1-861-010032-15 | 52 |
| 1-654-010051-07 | 36 | 18028 | 56 | 1-861-010032-15 | 59 |
| 1-654-010051-07 | 41 | 18029 | 56 | 1-861-010032-15 | 61 |
| 1-654-010051-07 | 64 | 18030 | 55 | 1-861-010032-18 | 52 |
| 1-654-010051-08 | 27 | 18032 | 55 | 1-861-010032-19 | 41 |
| 1-654-010051-08 | 29 | 18039 | 55 | 1-861-010034-07 | 15 |
| 1-654-010051-08 | 31 | 18044 | 56 | 1-861-010034-07 | 53 |
| 1-654-010051-09 | 07 | 18047 | 55 | 1-861-010034-09 | 47 |
| 1-654-010051-09 | 41 | 18056 | 56 | 1-861-010034-09 | 53 |
| 1-654-010055-01 | 47 | 18078 | 55 | 1-861-010034-10 | 35 |
| 1-654-010055-01 | 53 | 18078 | 55 | 1-861-010034-11 | 05 |
| 1-654-010055-01 | 59 | 1-816-010034-13 | 25 | 1-861-010034-11 | 07 |
| 1-654-010055-03 | 05 | 1-833-010001 | 27 | 1-861-010034-13 | 09 |
| 1-654-010055-03 | 09 | 1-833-010001 | 49 | 1-861-010034-13 | 23 |
| 1-654-010055-03 | 47 | 1-833-010001 | 60 | 1-861-010034-13 | 52 |
| 1-654-010055-03 | 53 | 1-833-010001 | 67 | 1-861-010034-13 | 61 |
| 1-654-010055-04 | 09 | 1-833-010002 | 27 | 1-861-010059-21 | 07 |
| 1-654-010055-04 | 52 | 1-833-010002 | 29 | 1865 | 57 |
| 1-654-010055-09 | 59 | 1-833-010002 | 31 | 19045 | 55 |
| 1-654-010055-13 | 05 | 1-833-010002 | 62 | 1A0290 | 11 |
| 1-654-010055-15 | 59 | 1-833-010003 | 27 | 1A0291 | 11 |

| PART | PAGE | PART | PAGE | PART | PAGE |
|--------------|-------------|-----------------|-------------|--------------|-------------|
| 1A0292 | 11 | 24032 | 55 | 3-272-010153 | 65 |
| 1A0294 | 11 | 2480 | 57 | 3-348-010048 | 53 |
| 1A0709 | 11 | 2A0079-404 | 11 | 3-368-010057 | 15 |
| 1A0711 | 11 | 2A0079-406 | 11 | 3-368-010057 | 65 |
| 1A0744 | 11 | 2A0283-7214 | 11 | 3-368-010060 | 15 |
| 1A0757 | 11 | 2A0354-121 | 11 | 3-368-010060 | 65 |
| 1R0017 | 11 | 2A283-7214 | 11 | 3-368-010120 | 15 |
| 1V0081 | 11 | 2V0010 | 11 | 3-368-010129 | 49 |
| 1V0208 | 11 | 3-007-010039 | 49 | 3-368-010129 | 52 |
| 1V1701 | 11 | 301-01 | 17 | 3-368-010187 | 52 |
| 1V1703 | 11 | 3-014-010255 | 53 | 3-368-010188 | 49 |
| 1V1725 | 11 | 3-054-010101 | 05 | 3-368-010188 | 53 |
| 2024-12-12S | 09 | 3-054-010482 | 61 | 3-368-010189 | 49 |
| 2024-12-8S | 09 | 3-054-010483-01 | 61 | 3-368-010257 | 65 |
| 202702-10-8S | 52 | 3-120-010426 | 60 | 3-384-010020 | 27 |
| 2047-12-12S | 09 | 3-120-010445 | 52 | 3-384-010020 | 29 |
| 2061-8-8S | 07 | 3-120-010461 | 09 | 3-399-010001 | 09 |
| 206210-8S | 53 | 312-2917-130 | 13 | 34-04 | 17 |
| 2062-12-12S | 07 | 312-3220-327 | 13 | 3-410-011335 | 60 |
| 2062-16-8S | 09 | 3-125-010464 | 52 | 3-446-010046 | 15 |
| 2083-8-4S | 27 | 3-125-010465 | 52 | 346SL | 41 |
| 2083-8-4S | 62 | 312-5037-201 | 13 | 3-481-010006 | 52 |
| 2083-8-8S | 27 | 3-128-010025 | 62 | 3-481-010006 | 57 |
| 2083-8-8S | 29 | 312-8217-327 | 13 | 3-482-010288 | 49 |
| 2083-8-8S | 31 | 3-136-010001-01 | 53 | 3-482-010503 | 09 |
| 2109-3 | 57 | 3-136-010001-02 | 49 | 3-482-010563 | 07 |
| 2175 | 57 | 3-141-010008 | 05 | 3-485-010001 | 36 |
| 2177 | 57 | 3-141-010120 | 59 | 3-485-010010 | 36 |
| 2180 | 57 | 3-141-010121-2 | 05 | 35-00 | 17 |
| 2183 | 57 | 3-141-010121-3 | 05 | 3-522-010017 | 53 |
| 21925 | 55 | 3-141-010123-4 | 05 | 3-557-010380 | 05 |
| 21961 | 55 | 3-141-010147 | 05 | 3-557-010474 | 52 |
| 2263 | 57 | 3-141-010152 | 05 | 3-557-010541 | 44 |
| 22703 | 56 | 3-141-010155 | 05 | 3-557-010542 | 44 |
| 22704 | 56 | 3-146-010072 | 60 | 3-557-010542 | 45 |
| 22752 | 55 | 3-150-010196 | 52 | 3-557-010547 | 45 |
| 22775 | 55 | 3-155-010017-4 | 52 | 3-561-010001 | 09 |
| 23078 | 56 | 3-155-010018-6 | 52 | 3-565-010047 | 25 |
| 23079 | 56 | 3-161-010034 | 49 | 3-565-011688 | 53 |
| 23081 | 56 | 3-162-010001 | 09 | 3-573-010040 | 39 |
| 23083 | 56 | 3-174-010038 | 52 | 3-573-010041 | 39 |
| 23085 | 56 | 3-174-010039036 | 52 | 3-573-010042 | 39 |
| 23303 | 55 | 3-208-010053-01 | 49 | 3-573-010043 | 39 |
| 23353 | 56 | 3-220-010030 | 45 | 3-573-010044 | 39 |
| 23470 | 55 | 3-238-010001 | 49 | 3-573-010045 | 39 |
| 239-9076-3 | 53 | 3-272-010125 | 49 | 3-573-010046 | 39 |

| PART | PAGE | PART | PAGE | PART | PAGE |
|-----------------|-------------|--------------|-------------|-------------|-------------|
| 3-573-010047 | 39 | 3-843-010022 | 52 | 6828 | 09 |
| 3-573-010048 | 39 | 3-843-010024 | 49 | 68CA-2-2 | 49 |
| 3-573-010049 | 39 | 3-843-010025 | 49 | 7052-02 | 17 |
| 3-573-010085 | 39 | 3-846-010159 | 07 | 706-01 | 17 |
| 3-573-010210 | 39 | 3-846-010159 | 11 | 715-00 | 17 |
| 3-573-010349 | 39 | 3-870-010097 | 35 | 719-02 | 17 |
| 3-573-010350 | 39 | 3-873-010122 | 52 | 750-029 | 15 |
| 3-573-010377 | 39 | 3-873-010122 | 55 | 750-029 | 49 |
| 3-573-010378012 | 05 | 3-873-010124 | 53 | 750-029 | 53 |
| 3-591-010001 | 09 | 3-873-010144 | 52 | 756-00 | 17 |
| 3-591-010001 | 13 | 3-873-010145 | 52 | 758-181 | 27 |
| 3-612-010015-1 | 59 | 391-0381-068 | 13 | 758-181 | 29 |
| 3-612-010015-2 | 59 | 391-1401-025 | 13 | 758-181 | 31 |
| 3-612-010016 | 59 | 391-1802-119 | 13 | 759-00 | 17 |
| 3-619-010258 | 44 | 391-2082-032 | 13 | 7816-10 | 17 |
| 3-619-010258 | 45 | 391-2185-013 | 13 | 7HCGHT500 | 52 |
| 3-619-010262 | 44 | 391-2585-006 | 13 | 805-2 | 27 |
| 3-619-010262 | 45 | 391-2882-086 | 13 | 805-2 | 29 |
| 3-626-010004 | 52 | 391-2883-058 | 13 | 805-2 | 31 |
| 3-642-010150 | 52 | 391-2884-050 | 13 | 81006 | 55 |
| 3-654-010129-1 | 44 | 391-3681-001 | 13 | 81009 | 55 |
| 3-654-010129-1 | 45 | 391-3784-028 | 13 | 81025 | 55 |
| 3-659-010012 | 35 | 40002R | 15 | 81530 | 55 |
| 37-03 | 17 | 481 00 224 | 19 | 900 23 002 | 25 |
| 3-711-010025 | 05 | 48100200 | 49 | 900 45 040 | 23 |
| 3-711-010055 | 49 | 48100200 | 53 | 900 54 007 | 19 |
| 3-720-010010 | 52 | 4Z4306 | 11 | 900-08-139 | 23 |
| 3-720-010035 | 53 | 55B61 | 27 | 90008184 | 23 |
| 3-720-010042 | 52 | 55B61 | 29 | 900-25-288 | 25 |
| 3-720-010084 | 44 | 55B61 | 31 | 900-44-162 | 25 |
| 3-720-010084 | 45 | 55B61-6 | 27 | 900-44-206 | 67 |
| 3-725-010058 | 41 | 55B61-6 | 29 | 900-54-007 | 27 |
| 3-755-010080 | 05 | 55B61-6 | 31 | 900-54-079 | 67 |
| 3-762-010017 | 36 | 55B61-7 | 27 | 900-54-082 | 67 |
| 3-762-010612 | 60 | 55B61-7 | 29 | 900-54-088 | 67 |
| 3-762-010667-02 | 17 | 55B61-7 | 31 | 900-54-211 | 67 |
| 3-765-010001 | 49 | 56D4 | 27 | 900-54-280 | 67 |
| 3-780-010002 | 27 | 56D4 | 29 | 905 54 107 | 19 |
| 3-780-010002 | 29 | 56D4 | 31 | 905-54-107 | 27 |
| 3-780-010002 | 31 | 59S-7 | 15 | 905-54-107 | 49 |
| 3-786-010043 | 09 | 59W-2-3 | 15 | 905-54-107 | 53 |
| 3-829-010337 | 59 | 59W-2-3 | 49 | 905-54-107 | 62 |
| 3-831-010151 | 52 | 60215Y | 15 | 930 02 349 | 19 |
| 3-831-010172 | 52 | 60700 | 15 | 932 01 051 | 25 |
| 3-843-010015 | 49 | 63680 | 35 | 93201057 | 23 |
| 3-843-010022 | 49 | 6-557-010163 | 05 | 934 00 060 | 19 |

| PART | PAGE | PART | PAGE |
|-------------|-------------|--------------|-------------|
| 934 00 149 | 23 | C10233 | 43 |
| 934 00 149 | 25 | C10234 | 43 |
| 934 00 492 | 25 | C10256 | 43 |
| 934-00-492 | 23 | C10259 | 43 |
| 934-00-506 | 25 | C3069X12 | 09 |
| 936 00 077 | 23 | D10116.2 | 43 |
| 936 00 077 | 25 | D10201.2 | 43 |
| 941 00 119 | 19 | D2H12 | 20 |
| 941 00 466 | 19 | D-2H16 | 20 |
| 94100590 | 23 | F-359-_____ | 03 |
| 94100648 | 23 | HM212011 | 35 |
| 94100685 | 23 | HM212049 | 35 |
| 94100787 | 23 | HM218210 | 35 |
| 94100790 | 23 | HM218248 | 35 |
| A10033 | 43 | HUT16 | 17 |
| A10037.1 | 43 | K71-101-00 | 21 |
| A10037.3 | 43 | K71-133-00 | 21 |
| A10038.6 | 43 | K71-135-00 | 21 |
| A10038.7 | 43 | K71-136-00 | 20 |
| A10040 | 43 | K71-138-00 | 21 |
| A10052.3 | 43 | K71-460-00 | 20 |
| A10054.3 | 43 | M110C-1 | 57 |
| A10054.6 | 43 | NB-2-016 | 49 |
| A10054.7 | 43 | PA-2328-2 | 57 |
| A10059.1 | 43 | PTO | 09 |
| A10101 | 43 | RPRB59004X3H | 47 |
| A10102 | 43 | RTR7999X4ZP | 53 |
| A10212 | 43 | RWD 34999 | 44 |
| A10218 | 43 | RWD 34999 | 45 |
| A10230 | 43 | TR573 | 35 |
| A10255 | 43 | | |
| A10260.1 | 43 | | |
| A6760S | 62 | | |
| B10036 | 43 | | |
| B10066 | 43 | | |
| B10130 | 43 | | |
| B10229.S | 43 | | |
| B10236 | 43 | | |
| B7-141-003 | 05 | | |
| C10078 | 43 | | |
| C10085 | 43 | | |
| C10140.2 | 43 | | |
| C10155 | 43 | | |
| C10177 | 43 | | |
| C10209 | 43 | | |
| C10217 | 43 | | |

